



C.G.M.

CATALOGO RUOTE IN FERRO

CATALOG IRON WHEELS

CATALOGUE ROUES EN TOLE



2016

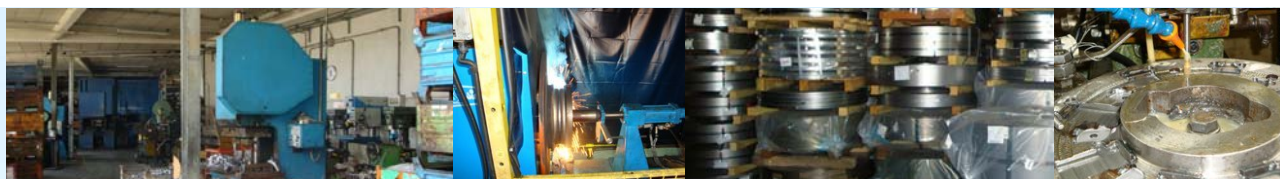


Catalogo 006.02

C.G.M. S.n.c.

Via San Grato, 9 - 14020 Piea (AT)
Tel. +39 0141-90.19.46 Fax +39 0141-99.09.14
e-mail: info@cgmsnc.com - www.cgmsnc.com





La C.G.M. S.n.c. pone la qualità della propria organizzazione come strumento base per guidare l'azienda verso un prodotto sempre più rispettoso delle esigenze del Cliente.

Il cliente assume un ruolo centrale, pertanto oltre ai modelli di ruote che Vi presentiamo su questo catalogo, il nostro ufficio tecnico, dotato delle più moderne tecnologie e software per soddisfare le più svariate richieste, è disponibile a realizzare modelli specifici dedicati e prototipi.

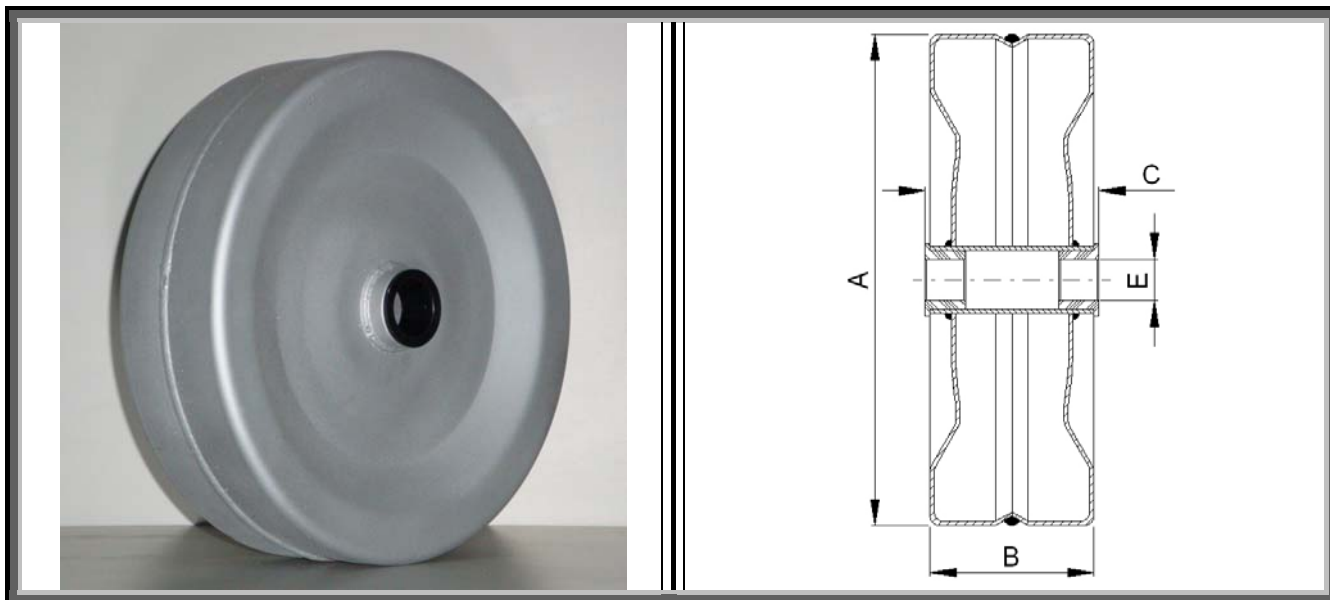
The C.G.M. S.n.c. puts the quality of its organization as a basic tool of management to lead the company to a product that better meets the needs of the customer.

The customer is central to the company's success, so in addition to the wheel models, we present in this catalog, our technical department, equipped with the latest technologies and software to meet the most varied demands is available to build specific models and prototypes.

La C.G.M. S.n.c. privilégie la qualité de sa organisation comme outil de base pour mener l'entreprise vers un produit qui répond mieux aux besoins du client.

Le client est au cœur de la réussite de l'entreprise et, in addition aux modèles de roues vous que nous vous présentons dans ce catalogue, notre département technique, équipé des dernières technologies et de logiciels pour répondre aux exigences les plus variées, est disponible pour construire des modèles commerciaux spécifiques et des prototypes.

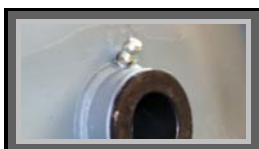


Ruote in ferro piano con boccole in nylon
Flat iron wheels with nylon bushings - Roues en tôle plates avec bagues en nylon


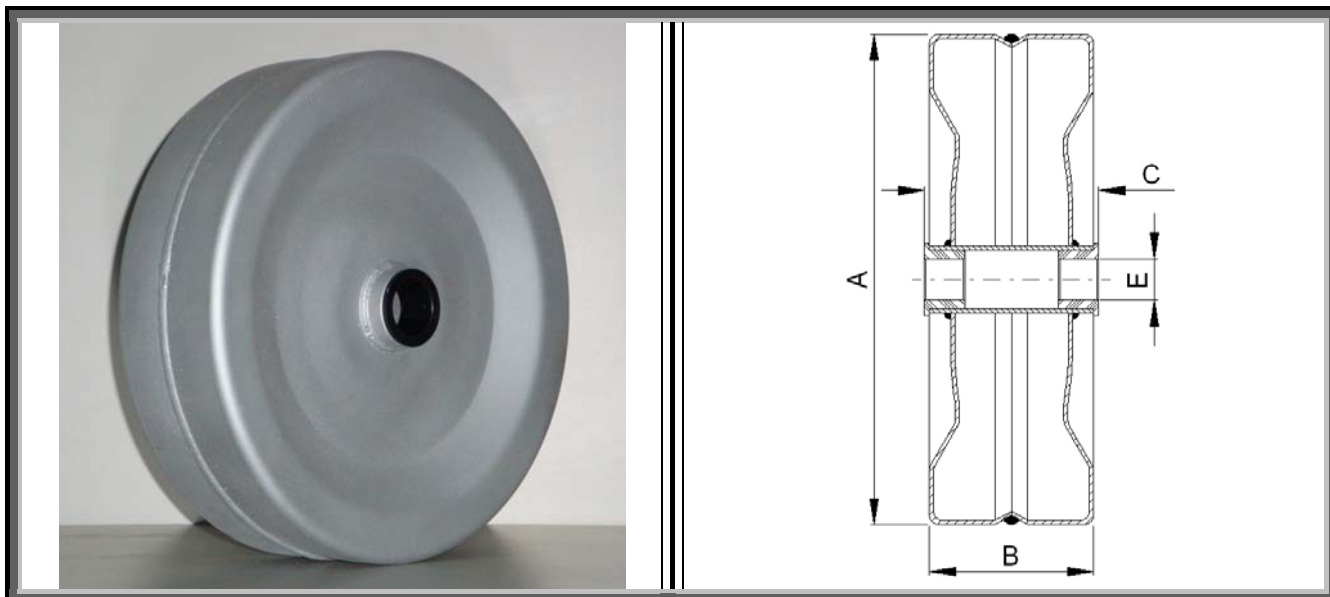
| Articolo | Diametro | Larghezza | Mozzo | Perno | Spessore | Portata |
|--------------|----------|-----------|-------|-------|-----------|----------|
| Item | Diameter | Width | Hub | Pin | Thickness | Capacity |
| Article | Diametre | Largeur | Moyeu | Axe | Epesseur | Charge |
| | A | B * | C * | E * | S | Kg |
| RFPA14506500 | 145 | 65 | 70 | 20 | 2 | 470 |
| RFPA16006000 | 160 | 60 | 70 | 20 | 2 | 480 |
| RFPA16008000 | 160 | 80 | 90 | 20 | 2 | 490 |
| RFPA19008000 | 190 | 80 | 90 | 20 | 2 | 500 |
| RFPA19008001 | 190 | 80 | 90 | 25 | 2 | 500 |
| RFPA19010000 | 190 | 100 | 110 | 20 | 2 | 650 |
| RFPA19010001 | 190 | 100 | 110 | 25 | 2 | 650 |
| RFPA22506000 | 225 | 60 | 70 | 20 | 2 | 470 |
| RFPA22508000 | 225 | 80 | 90 | 20 | 2 | 470 |
| RFPA22508001 | 225 | 80 | 90 | 25 | 2 | 470 |
| RFPA22508002 | 225 | 80 | 90 | 30 | 2 | 470 |
| RFPA23010000 | 230 | 100 | 110 | 20 | 2 | 500 |
| RFPA23010001 | 230 | 100 | 110 | 25 | 2 | 550 |
| RFPA23010002 | 230 | 100 | 110 | 30 | 2 | 600 |
| RFPA25010000 | 250 | 100 | 110 | 20 | 2.3 | 650 |

* **Dimensioni variabili su richiesta**
 * Variable size on request
 * Taille variable sur demande

Continua →



A richiesta, per tutti i modelli, con ingrassatore
 Upon request, for all models, with grease nipples
 Sur demande, pour tous les modèles, avec grasseur

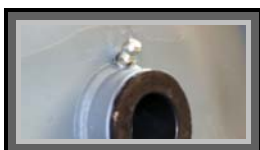
Ruote in ferro piano con boccole in nylon
Flat iron wheels with nylon bushings - Roues en tôle plates avec bagues en nylon


| Articolo <i>Item</i> <i>Article</i> | Diametro <i>Diameter</i> <i>Diametre</i> | Larghezza <i>Width</i> <i>Largeur</i> | Mozzo <i>Hub</i> <i>Moyeu</i> | Perno <i>Pin</i> <i>Axe</i> | Spessore <i>Thickness</i> <i>Epesseur</i> | Portata <i>Capacity</i> <i>Charge</i> |
|---|--|---|-------------------------------------|-----------------------------------|---|---|
| | A | B * | C * | E * | S | Kg |
| RFPA25010001 | 250 | 100 | 110 | 25 | 2.3 | 650 |
| RFPA25010002 | 250 | 100 | 110 | 30 | 2.3 | 650 |
| RFPA28008001 | 280 | 80 | 90 | 25 | 2.3 | 750 |
| RFPA28008002 | 280 | 80 | 90 | 30 | 2.3 | 750 |
| RFPA28012001 | 280 | 120 | 130 | 25 | 2.5 | 850 |
| RFPA28012002 | 280 | 120 | 130 | 30 | 2.5 | 850 |
| RFPA30010001 | 300 | 100 | 110 | 25 | 2.3 | 950 |
| RFPA30010002 | 300 | 100 | 110 | 30 | 2.3 | 950 |
| RFPA32010001 | 320 | 100 | 110 | 25 | 2.5 | 1.000 |
| RFPA32010002 | 320 | 100 | 110 | 30 | 2.5 | 1.000 |
| RFPA36010002 | 355 | 100 | 110 | 30 | 2.5 | 1.100 |
| RFPA40010002 | 400 | 100 | 110 | 30 | 2.5 | 1.200 |
| RFPA40015002 | 400 | 150 | 160 | 30 | 2.5 | 1.200 |
| RFPA50010002 | 500 | 100 | 110 | 30 | 2.5 | 1.300 |
| RFPA50015002 | 500 | 150 | 160 | 30 | 2.5 | 1.300 |

* **Dimensioni variabili su richiesta**

* *Variable size on request*

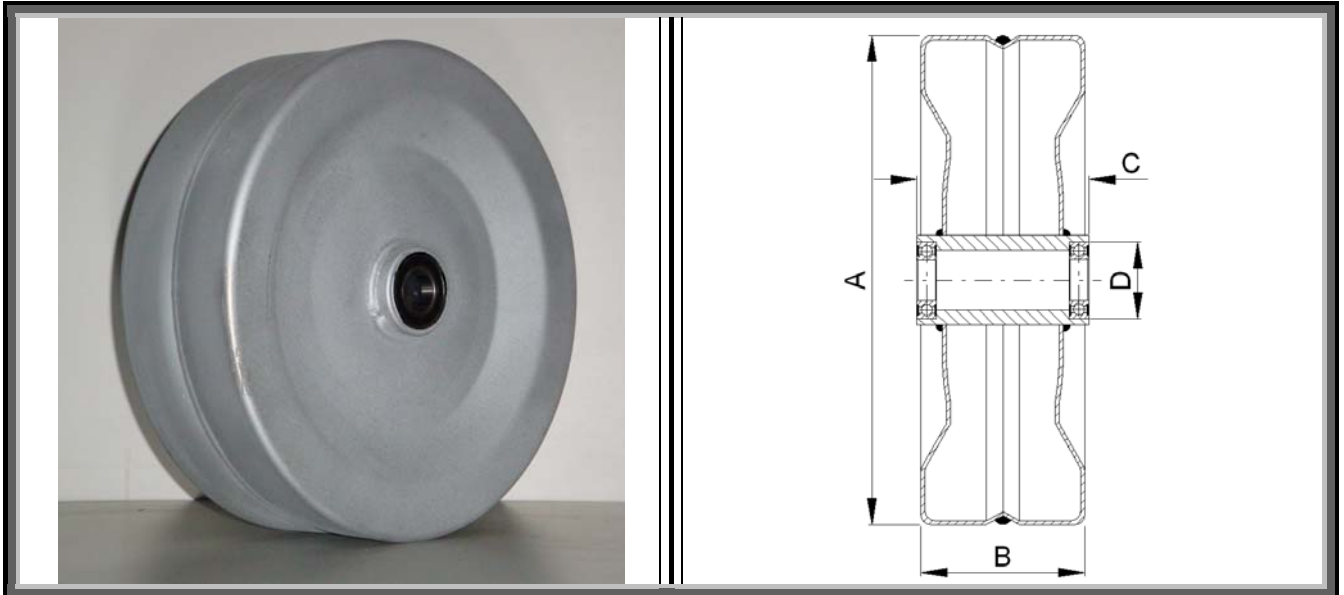
* *Taille variable sur demande*



A richiesta, per tutti i modelli, con ingrassatore

Upon request, for all models, with grease nipples

Sur demande, pour tous les modèles, avec grasseur

Ruote in ferro piano con mozzo porta cuscinetti
Flat iron wheels with hub for bearings
Roues en tôle plat avec moyeu pour les roulements


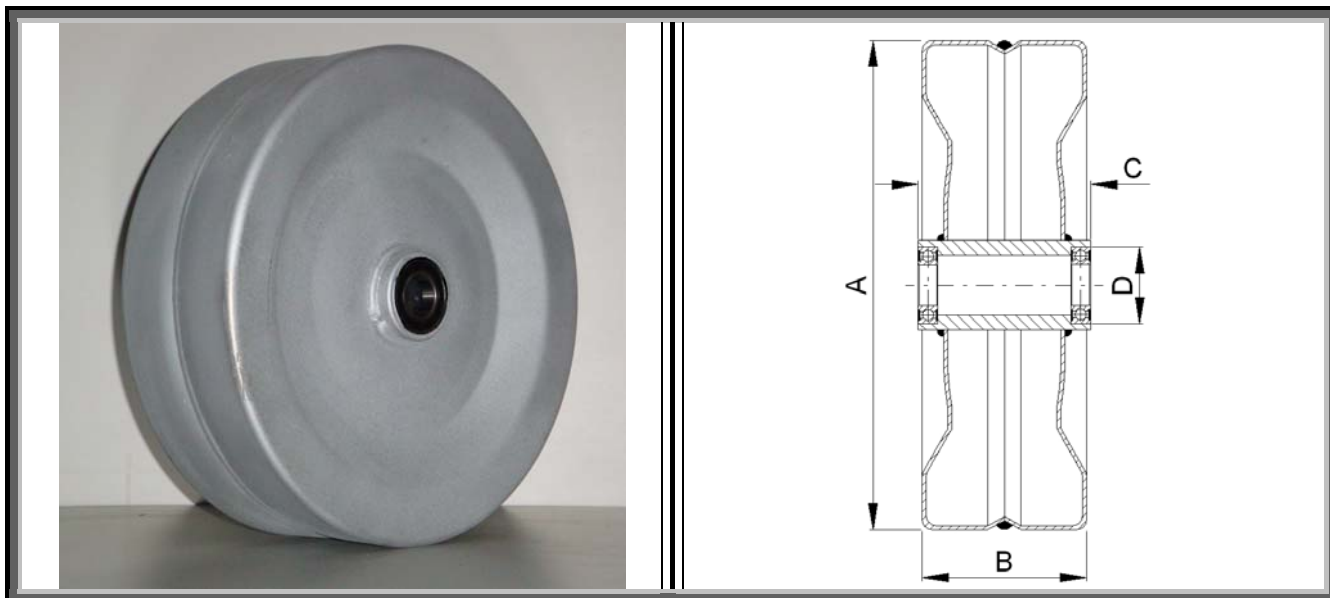
| Articolo | Diametro | Larghezza | Mozzo | Cuscinetti | Spessore | Portata |
|--------------|----------|-----------|-------|------------|-----------|----------|
| Item | Diameter | Width | Hub | Bearings | Thickness | Capacity |
| Article | Diametre | Largeur | Moyeu | Roulements | Epaisseur | Charge |
| | A | B * | C * | D * | S | Kg |
| RFPB14506500 | 145 | 63 | 65 | 42 - 20 | 2 | 600 |
| RFPB16006001 | 160 | 60 | 60 | 47 - 20 | 2 | 650 |
| RFPB16008001 | 160 | 80 | 80 | 47 - 20 | 2 | 750 |
| RFPB19008001 | 190 | 80 | 80 | 47 - 20 | 2 | 650 |
| RFPB19008002 | 190 | 80 | 80 | 52 - 25 | 2 | 750 |
| RFPB19010001 | 190 | 100 | 100 | 47 - 20 | 2 | 750 |
| RFPB19010002 | 190 | 100 | 100 | 52 - 25 | 2 | 750 |
| RFPB22506001 | 225 | 60 | 60 | 47 - 20 | 2 | 650 |
| RFPB22508001 | 225 | 80 | 80 | 47 - 20 | 2 | 650 |
| RFPB22508002 | 225 | 80 | 80 | 52 - 25 | 2 | 650 |
| RFPB23010001 | 230 | 100 | 100 | 47 - 20 | 2 | 700 |
| RFPB23010002 | 230 | 100 | 100 | 52 - 25 | 2 | 800 |
| RFPB25010002 | 250 | 100 | 100 | 52 - 25 | 2.3 | 750 |
| RFPB25010003 | 250 | 100 | 100 | 62 - 30 | 2.3 | 750 |
| RFPB28008002 | 280 | 80 | 80 | 52 - 25 | 2.3 | 850 |
| RFPB28008003 | 280 | 80 | 80 | 62 - 30 | 2.3 | 1.100 |
| RFPB28012001 | 280 | 120 | 120 | 47 - 20 | 2.5 | 1.000 |
| RFPB28012002 | 280 | 120 | 120 | 52 - 25 | 2.5 | 1.100 |
| RFPB28012003 | 280 | 120 | 120 | 62 - 30 | 2.5 | 1.200 |

* **Dimensioni variabili su richiesta**

* Variable size on request

* Taille variable sur demande

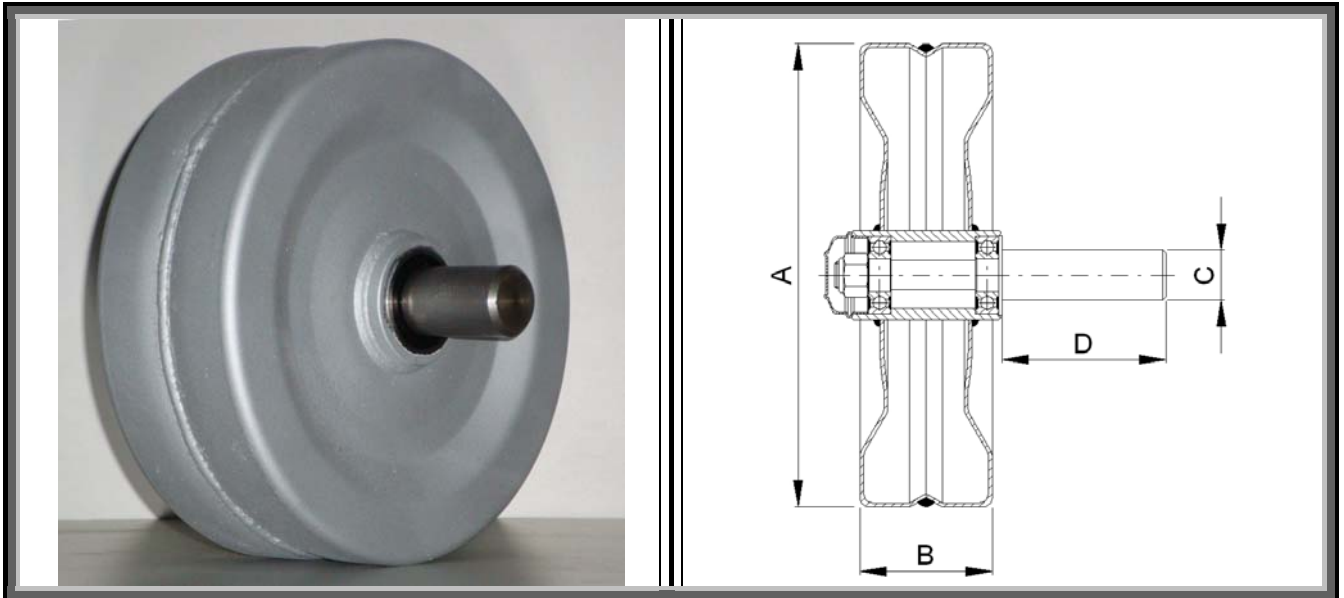
Continua →

Ruote in ferro piane con mozzo porta cuscinetti
Flat iron wheels with hub for bearings
Roues en tôle plates avec moyeu pour les roulements


| Articolo | Diametro | Larghezza | Mozzo | Cuscinetti | Spessore | Portata |
|----------------|-----------------|----------------|--------------|-------------------|------------------|-----------------|
| <i>Item</i> | <i>Diameter</i> | <i>Width</i> | <i>Hub</i> | <i>Bearings</i> | <i>Thickness</i> | <i>Capacity</i> |
| <i>Article</i> | <i>Diametre</i> | <i>Largeur</i> | <i>Moyeu</i> | <i>Roulements</i> | <i>Epesseur</i> | <i>Charge</i> |
| | A | B * | C * | D * | S | Kg |
| RFPB30010002 | 300 | 100 | 100 | 52 – 25 | 2.3 | 850 |
| RFPB30010003 | 300 | 100 | 100 | 62 – 30 | 2.3 | 1.200 |
| RFPB32010002 | 320 | 100 | 100 | 52 – 25 | 2.5 | 950 |
| RFPB32010003 | 320 | 100 | 100 | 62 – 30 | 2.5 | 1.300 |
| RFPB36010002 | 355 | 100 | 100 | 52 – 25 | 2.5 | 1.300 |
| RFPB36010003 | 355 | 100 | 100 | 62 – 30 | 2.5 | 1.400 |
| RFPB40010003 | 400 | 100 | 100 | 62 – 30 | 2.5 | 1.500 |
| RFPB40015004 | 400 | 150 | 150 | 72 – 35 | 2.5 | 1.700 |
| RFPB50010003 | 500 | 100 | 100 | 62 – 30 | 2.5 | 1.700 |
| RFPB50010004 | 500 | 100 | 100 | 72 – 35 | 2.5 | 1.800 |
| RFPB50015003 | 500 | 150 | 150 | 62 – 30 | 2.5 | 1.900 |
| RFPB50015004 | 500 | 150 | 150 | 72 – 35 | 2.5 | 2.000 |

* **Dimensioni variabili su richiesta**
 * Variable size on request
 * Taille variable sur demande

Ruote in ferro piano con cuscinetti e perno
Flat iron wheels with bearings and pin
Roues en tôle plates avec roulements et axe



| Articolo Item Article | Ruota – Wheel – Roue | | Perno – Pin – Axe | | | Ruota – Wheel – Roue | |
|-----------------------------|----------------------|----------------|-------------------|-----------------|-------------------|----------------------|-----------------|
| | Diametro | Larghezza | Diametro | Lunghezza | Cuscinetto | Spessore | Portata |
| | <i>Diameter</i> | <i>Width</i> | <i>Diameter</i> | <i>Length</i> | <i>Bearings</i> | <i>Thickness</i> | <i>Capacity</i> |
| | <i>Diametre</i> | <i>Largeur</i> | <i>Diametre</i> | <i>Longueur</i> | <i>Roulements</i> | <i>Epesseur</i> | <i>Charge</i> |
| | A | B * | C * | D * | E * | S | Kg |
| RFPC14506501 | 145 | 65 | 25 | 50 | 42 – 20 | 2 | 650 |
| RFPC16006011 | 160 | 60 | 25 | 100 | 47 – 20 | 2 | 650 |
| RFPC16008011 | 160 | 80 | 25 | 100 | 47 – 20 | 2 | 650 |
| RFPC19008001 | 190 | 80 | 25 | 50 | 47 – 20 | 2 | 650 |
| RFPC19008011 | 190 | 80 | 25 | 100 | 47 – 20 | 2 | 650 |
| RFPC19008012 | 190 | 80 | 30 | 100 | 52 – 25 | 2 | 800 |
| RFPC19010011 | 190 | 100 | 25 | 100 | 47 – 20 | 2 | 650 |
| RFPC19010012 | 190 | 100 | 30 | 100 | 52 – 25 | 2 | 850 |
| RFPC22506001 | 225 | 60 | 25 | 50 | 47 – 20 | 2 | 650 |
| RFPC22508001 | 225 | 80 | 25 | 50 | 47 – 20 | 2 | 650 |
| RFPC22508011 | 225 | 80 | 25 | 100 | 47 – 20 | 2 | 650 |
| RFPC22508002 | 225 | 80 | 30 | 50 | 52 – 25 | 2 | 650 |
| RFPC22508012 | 225 | 80 | 30 | 100 | 52 – 25 | 2 | 650 |
| RFPC23010011 | 230 | 100 | 25 | 100 | 47 – 20 | 2 | 750 |
| RFPC23010012 | 230 | 100 | 30 | 100 | 52 – 25 | 2 | 750 |
| RFPC25010002 | 250 | 100 | 30 | 50 | 52 – 25 | 2.3 | 800 |
| RFPC25010012 | 250 | 100 | 30 | 100 | 52 – 25 | 2.3 | 800 |
| RFPC25010003 | 250 | 100 | 35 | 50 | 62 – 30 | 2.3 | 900 |

* **Dimensioni variabili su richiesta**

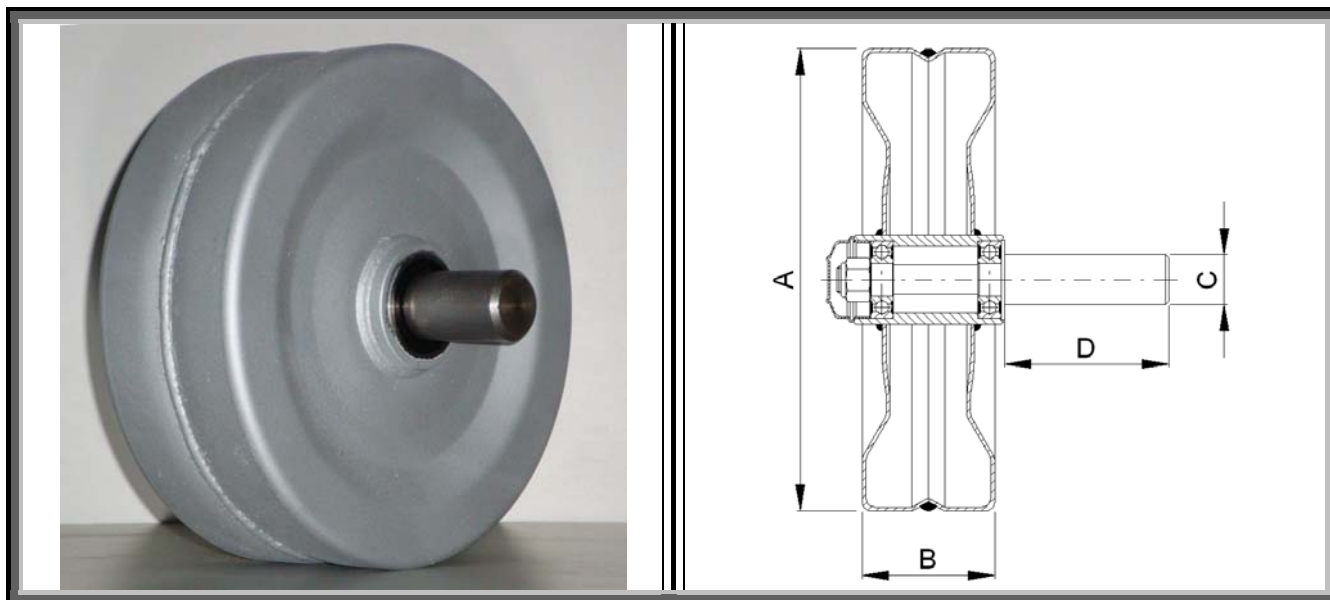
* *Variable size on request*

* *Taille variable sur demande*

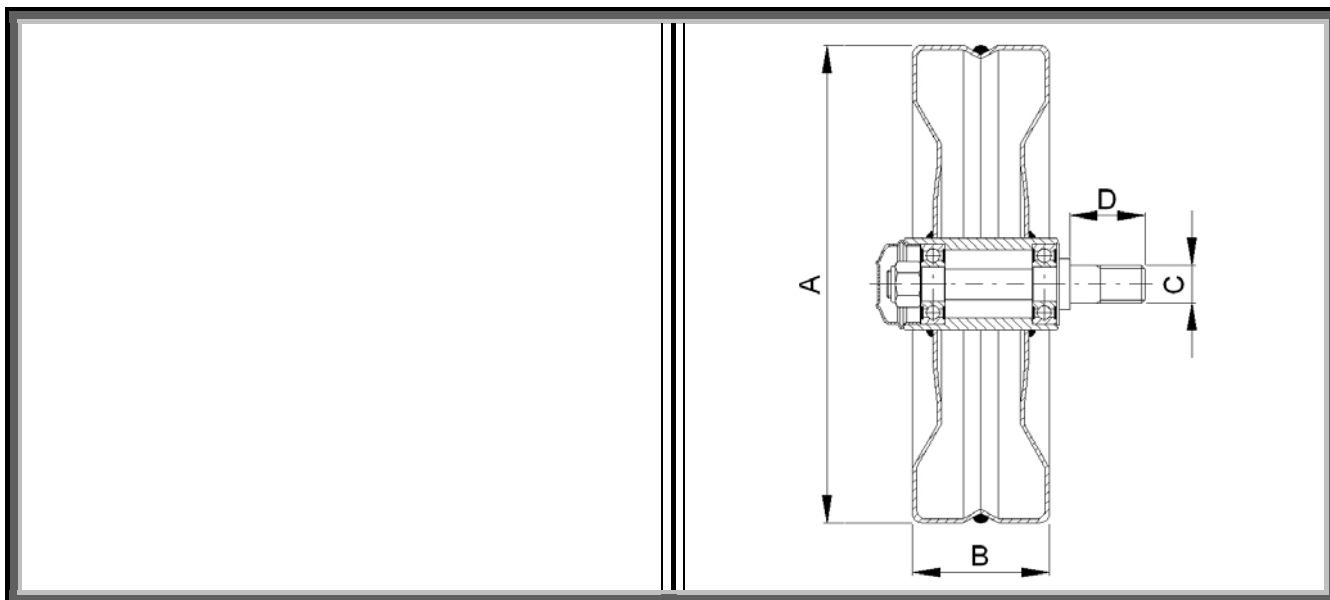
Continua →

Ruote in ferro piano con cuscinetti e perno

Flat iron wheels with bearings and pin
Roues en tôle plates avec roulements et axe



| Articolo <i>Item</i> <i>Article</i> | Ruota – Wheel – Roue | | Perno – Pin – Axe | | | Ruota – Wheel – Roue | |
|--|--|---|--|---|--|--|---|
| | Diametro <i>Diameter</i> <i>Diametre</i> | Larghezza <i>Width</i> <i>Largeur</i> | Diametro <i>Diameter</i> <i>Diametre</i> | Lunghezza <i>Length</i> <i>Longueur</i> | Cuscinetto <i>Bearings</i> <i>Roulements</i> | Spessore <i>Thickness</i> <i>Epaisseur</i> | Portata <i>Capacity</i> <i>Charge</i> |
| | A | B * | C * | D * | E * | S | Kg |
| RFPC25010013 | 250 | 100 | 35 | 100 | 62 – 30 | 2.3 | 900 |
| RFPC28008012 | 280 | 80 | 30 | 100 | 52 – 25 | 2.3 | 900 |
| RFPC28008013 | 280 | 80 | 35 | 100 | 62 – 30 | 2.3 | 1.100 |
| RFPC28012012 | 280 | 120 | 30 | 100 | 52 – 25 | 2.5 | 1.000 |
| RFPC28012013 | 280 | 120 | 35 | 100 | 62 – 30 | 2.5 | 1.100 |
| RFPC30010012 | 300 | 100 | 30 | 100 | 52 – 25 | 2.3 | 900 |
| RFPC30010013 | 300 | 100 | 35 | 100 | 62 – 30 | 2.3 | 1.200 |
| RFPC32010012 | 320 | 100 | 30 | 100 | 52 – 25 | 2.5 | 1.100 |
| RFPC32010013 | 320 | 100 | 35 | 100 | 62 – 30 | 2.5 | 1.300 |
| RFPC36010012 | 355 | 100 | 30 | 100 | 52 – 25 | 2.5 | 1.200 |
| RFPC36010013 | 355 | 100 | 35 | 100 | 62 – 30 | 2.5 | 1.300 |
| RFPC40010012 | 400 | 100 | 30 | 100 | 52 – 25 | 2.5 | 1.200 |
| RFPC40010013 | 400 | 100 | 35 | 100 | 62 – 30 | 2.5 | 1.400 |
| RFPC40015013 | 400 | 150 | 35 | 100 | 62 – 30 | 2.5 | 1.600 |
| RFPC40015014 | 400 | 150 | 40 | 100 | 72 – 35 | 2.5 | 1.700 |
| RFPC50010012 | 500 | 100 | 30 | 100 | 52 – 25 | 2.5 | 1.600 |
| RFPC50010013 | 500 | 100 | 35 | 100 | 62 – 30 | 2.5 | 1.800 |
| RFPC50015013 | 500 | 150 | 35 | 100 | 62 – 30 | 2.5 | 1.800 |
| RFPC50015014 | 500 | 150 | 40 | 100 | 72 – 35 | 2.5 | 2.000 |
| * Dimensioni variabili su richiesta | * Variable size on request | | * Taille variable sur demande | | | | |

Ruote in ferro piane con cuscinetti e perno filettato
Flat iron wheels with bearings and threaded pin
Roues en tôle plates avec roulements et axe fileté


| Articolo <i>Item</i> <i>Article</i> | Ruota – Wheel – Roue | | Perno – Pin – Axe | | | Ruota – Wheel – Roue | |
|---|--|---|--|---|--|--|---|
| | Diametro <i>Diameter</i> <i>Diametre</i> | Larghezza <i>Width</i> <i>Largeur</i> | Diametro <i>Diameter</i> <i>Diametre</i> | Lunghezza <i>Length</i> <i>Longueur</i> | Cuscinetto <i>Bearings</i> <i>Roulements</i> | Spessore <i>Thickness</i> <i>Epaisseur</i> | Portata <i>Capacity</i> <i>Charge</i> |
| | A | B * | C * | D * | E * | S | Kg |
| RFPD14506500 | 145 | 65 | M20 | 45 | 42 – 20 | 2 | 650 |
| RFPD16006000 | 160 | 60 | M20 | 45 | 47 – 20 | 2 | 650 |
| RFPD16008000 | 160 | 80 | M20 | 45 | 47 – 20 | 2 | 700 |
| RFPD19008000 | 190 | 80 | M20 | 45 | 47 – 20 | 2 | 650 |
| RFPD19008011 | 190 | 80 | M24 | 60 | 52 – 25 | 2 | 750 |
| RFPD19010000 | 190 | 100 | M20 | 45 | 47 – 20 | 2 | 650 |
| RFPD19010011 | 190 | 100 | M24 | 60 | 52 – 25 | 2 | 800 |
| RFPD22506000 | 225 | 60 | M20 | 45 | 47 – 20 | 2 | 650 |
| RFPD22508000 | 225 | 80 | M20 | 45 | 47 – 20 | 2 | 700 |
| RFPD22508011 | 225 | 80 | M24 | 60 | 52 – 25 | 2 | 750 |
| RFPD23010000 | 230 | 100 | M20 | 45 | 47 – 20 | 2 | 750 |
| RFPD23010011 | 230 | 100 | M24 | 60 | 52 – 25 | 2 | 800 |
| RFPD25010011 | 250 | 100 | M24 | 60 | 52 – 25 | 2.3 | 800 |
| RFPD25010022 | 250 | 100 | M30 | 80 | 62 – 30 | 2.3 | 900 |
| RFPD28008011 | 280 | 80 | M24 | 60 | 52 – 25 | 2.3 | 900 |
| RFPD28008022 | 280 | 80 | M30 | 80 | 62 – 30 | 2.3 | 1.100 |
| RFPD28012011 | 280 | 120 | M24 | 60 | 52 – 25 | 2.5 | 1.100 |
| RFPD28012022 | 280 | 120 | M30 | 80 | 62 – 30 | 2.5 | 1.200 |

* **Dimensioni variabili su richiesta**

* *Variable size on request*

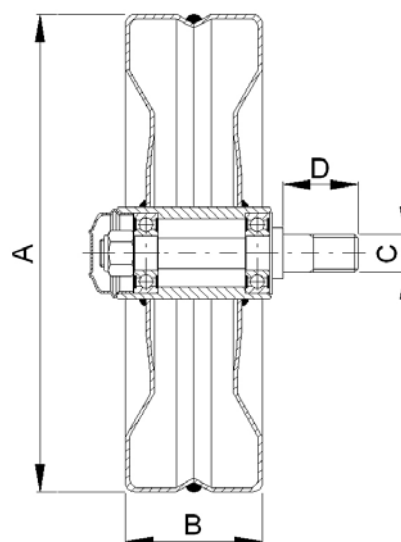
* *Taille variable sur demande*

Continua →

Ruote in ferro piano con cuscinetti e perno filettato

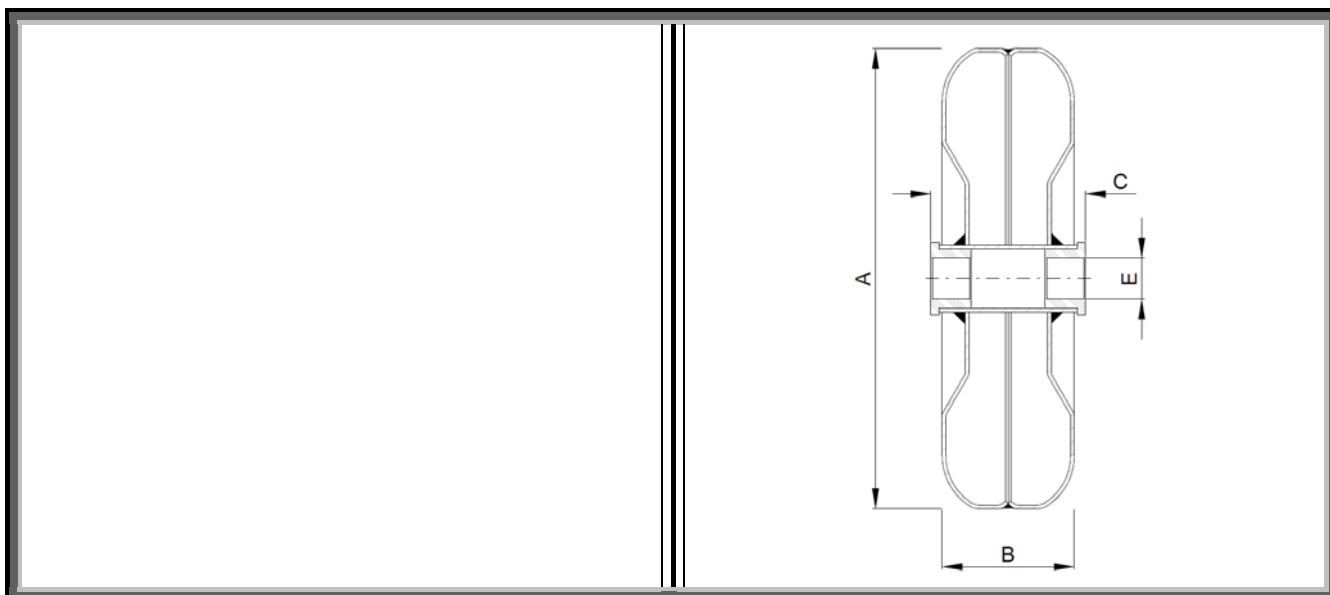
Flat iron wheels with bearings and threaded pin

Roues en tôle plates avec roulements et axe fileté



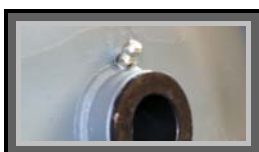
| Articolo | Ruota – Wheel – Roue | | Perno – Pin – Axe | | | Ruota – Wheel – Roue | |
|----------------|----------------------|----------------|-------------------|-----------------|-------------------|----------------------|-----------------|
| | Diametro | Larghezza | Diametro | Lunghezza | Cuscinetto | Spessore | Portata |
| <i>Item</i> | <i>Diameter</i> | <i>Width</i> | <i>Diameter</i> | <i>Length</i> | <i>Bearings</i> | <i>Thickness</i> | <i>Capacity</i> |
| <i>Article</i> | <i>Diametre</i> | <i>Largeur</i> | <i>Diametre</i> | <i>Longueur</i> | <i>Roulements</i> | <i>Epesseur</i> | <i>Charge</i> |
| | A | B * | C * | D * | E * | S | Kg |
| RFPD30010011 | 300 | 100 | M24 | 60 | 52 – 25 | 2.3 | 900 |
| RFPD30010022 | 300 | 100 | M30 | 80 | 62 – 30 | 2.3 | 1.200 |
| RFPD32010011 | 320 | 100 | M24 | 60 | 52 – 25 | 2.5 | 1.100 |
| RFPD32010022 | 320 | 100 | M30 | 80 | 62 – 30 | 2.5 | 1.300 |
| RFPD36010011 | 355 | 100 | M24 | 60 | 52 – 25 | 2.5 | 1.200 |
| RFPD36010022 | 355 | 100 | M30 | 80 | 62 – 30 | 2.5 | 1.300 |
| RFPD40010011 | 400 | 100 | M24 | 60 | 52 – 25 | 2.5 | 1.200 |
| RFPD40010022 | 400 | 100 | M30 | 80 | 62 – 30 | 2.5 | 1.400 |
| RFPD40015011 | 400 | 150 | M24 | 60 | 52 – 25 | 2.5 | 1.500 |
| RFPD40015022 | 400 | 150 | M30 | 80 | 62 – 30 | 2.5 | 1.600 |
| RFPD40015034 | 400 | 150 | M36 | 90 | 72 – 35 | 2.5 | 1.700 |
| RFPD50010011 | 500 | 100 | M24 | 60 | 52 – 25 | 2.5 | 1.600 |
| RFPD50010022 | 500 | 100 | M30 | 80 | 62 – 30 | 2.5 | 1.800 |
| RFPD50015022 | 500 | 150 | M30 | 80 | 62 – 30 | 2.5 | 1.900 |
| RFPD50015034 | 500 | 150 | M36 | 90 | 72 – 35 | 2.5 | 2.000 |

* **Dimensioni variabili su richiesta**
 * Variable size on request
 * Taille variable sur demande

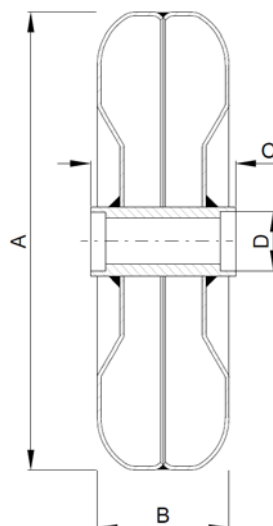
Ruote in ferro tonde con boccia in nylon
Round iron wheels with nylon bushings
Roues en toile arrondi avec bagues en nylon


| Articolo | Diametro | Larghezza | Mozzo | Perno | Spessore | Portata |
|--------------|----------|------------|------------|------------|------------|-----------|
| Item | Diameter | Width | Hub | Pin | Thickness | Capacity |
| Article | Diametre | Largeur | Moyeu | Axe | Epesseur | Charge |
| | A | B * | C * | E * | S | Kg |
| RFTA28008000 | 280 | 85 | 90 | 20 | 2.3 | 700 |
| RFTA28008001 | 280 | 85 | 90 | 25 | 2.3 | 800 |
| RFTA28008002 | 280 | 85 | 90 | 30 | 2.3 | 900 |
| RFTA28010000 | 280 | 100 | 110 | 20 | 2.3 | 700 |
| RFTA28010001 | 280 | 100 | 110 | 25 | 2.3 | 800 |
| RFTA28010002 | 280 | 100 | 110 | 30 | 2.3 | 900 |
| RFTA31011001 | 310 | 110 | 120 | 25 | 2.3 | 900 |
| RFTA31011002 | 310 | 110 | 120 | 30 | 2.3 | 1.000 |
| RFTA28010011 | 280 | 100 | 110 | 25 | 3.0 | 800 |
| RFTA28010012 | 280 | 100 | 110 | 30 | 3.0 | 900 |

* **Dimensioni variabili su richiesta**
 * *Variable size on request*
 * *Taille variable sur demande*



A richiesta, per tutti i modelli, con ingrassatore
Upon request, for all models, with grease nipples
Sur demande, pour tous les modèles, avec grasseur

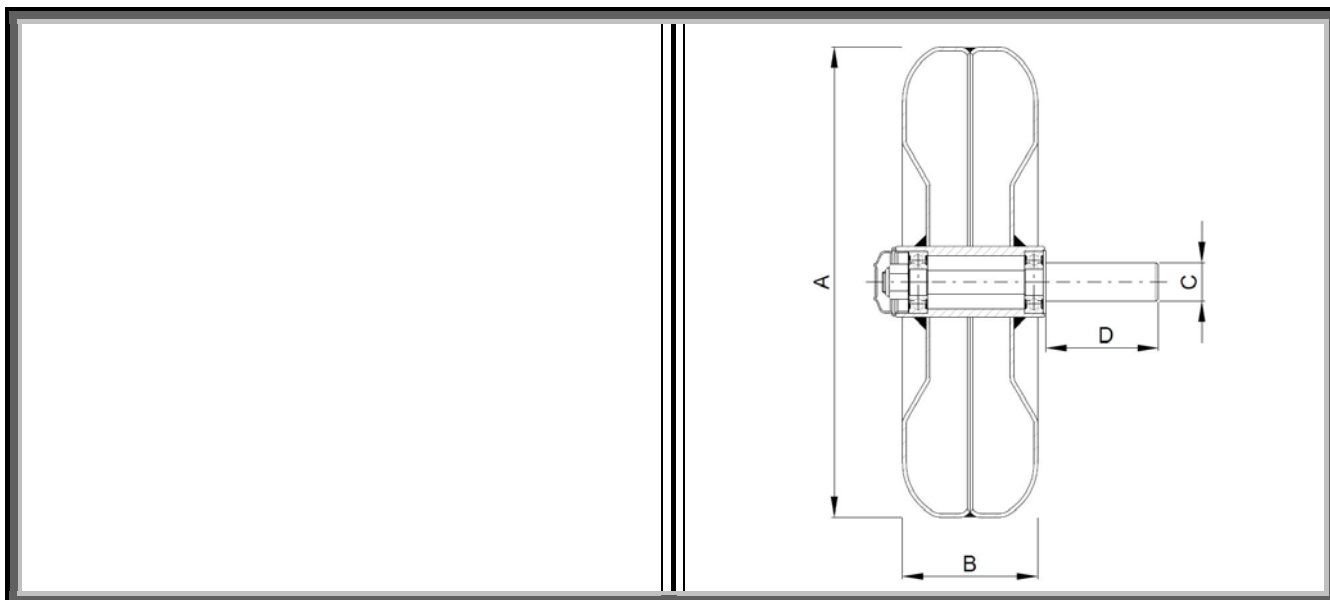
Ruote in ferro tonde con mozzo porta cuscinetti
Round iron wheels with hub for bearings
Roues en tôle arrondi avec moyeu pour les roulements


| Articolo | Diametro | Larghezza | Mozzo | Cuscinetti | Spessore | Portata |
|--------------|----------|------------|------------|------------|------------|-----------|
| Item | Diameter | Width | Hub | Bearings | Thickness | Capacity |
| Article | Diametre | Largeur | Moyeu | Roulements | Epaisseur | Charge |
| | A | B * | C * | D * | S | Kg |
| RFTB28008002 | 280 | 85 | 85 | 52 – 25 | 2.3 | 1.000 |
| RFTB28008003 | 280 | 85 | 85 | 62 – 30 | 2.3 | 1.200 |
| RFTB28010002 | 280 | 100 | 100 | 52 – 25 | 2.3 | 1.000 |
| RFTB28010003 | 280 | 100 | 100 | 62 – 30 | 2.3 | 1.200 |
| RFTB31011002 | 310 | 110 | 110 | 52 – 25 | 2.3 | 1.200 |
| RFTB31011003 | 310 | 110 | 110 | 62 – 30 | 2.3 | 1.400 |
| RFTB28010012 | 280 | 100 | 100 | 52 – 25 | 3.0 | 1.200 |
| RFTB28010013 | 280 | 100 | 100 | 62 – 30 | 3.0 | 1.500 |

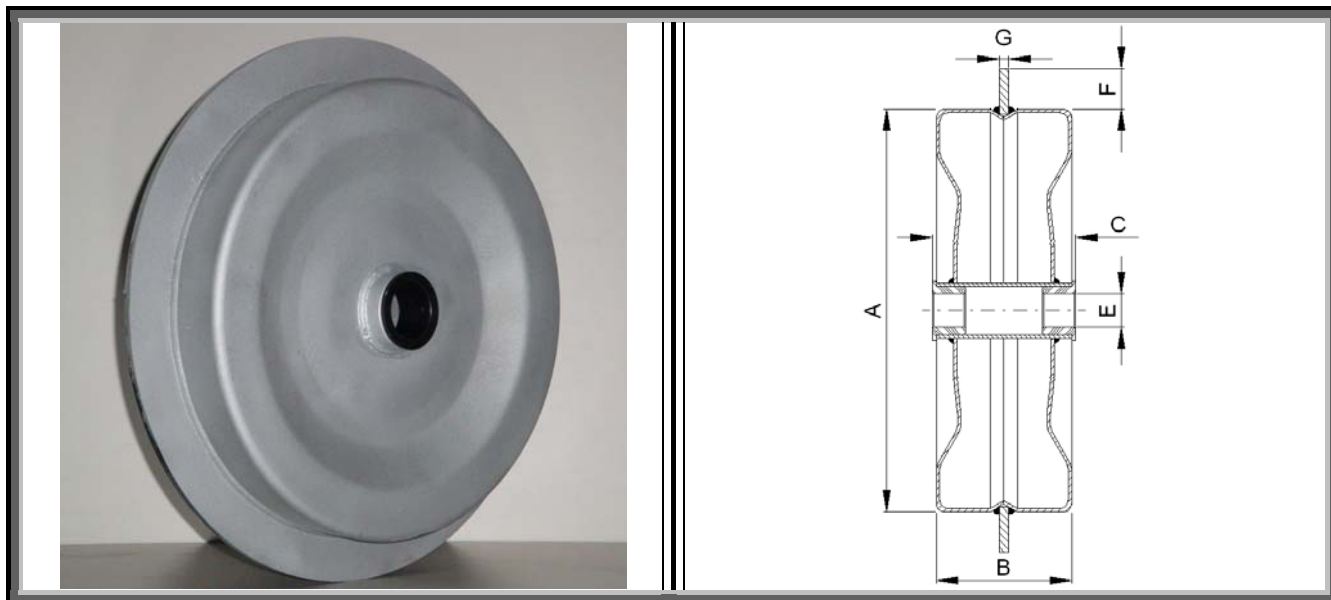
* **Dimensioni variabili su richiesta**
 * Variable size on request
 * Taille variable sur demande

Ruote in ferro tonde con cuscinetti e perno

Round iron wheels with bearings and pin
 Roues en tole arrondi avec roulements et axe



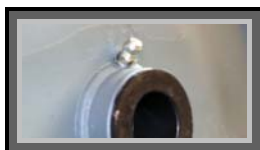
| Articolo Item Article | Ruota – Wheel – Roue | | Perno – Pin – Axe | | | Spessore Thickness Epaisseur | Portata Capacity Charge |
|---|----------------------------------|-------------------------------|----------------------------------|---------------------------------|--------------------------------------|------------------------------------|-------------------------------|
| | Diametro Diameter Diametre | Larghezza Width Largeur | Diametro Diameter Diametre | Lunghezza Length Longueur | Cuscinetto Bearings Roulements | | |
| | A | B * | C * | D * | E * | S | Kg |
| RFTC28008012 | 280 | 85 | 30 | 100 | 52 – 25 | 2.3 | 1.100 |
| RFTC28008013 | 280 | 85 | 35 | 100 | 62 – 30 | 2.3 | 1.200 |
| RFTC28010012 | 280 | 100 | 30 | 100 | 52 – 25 | 2.3 | 1.100 |
| RFTC28010013 | 280 | 100 | 35 | 100 | 62 – 30 | 2.3 | 1.200 |
| RFTC30011012 | 310 | 110 | 30 | 100 | 52 – 25 | 2.3 | 1.200 |
| RFTC30011013 | 310 | 110 | 35 | 100 | 62 – 30 | 2.3 | 1.300 |
| RFTC28010032 | 280 | 100 | 30 | 100 | 52 – 25 | 3.0 | 1.300 |
| RFTC28010033 | 280 | 100 | 35 | 100 | 62 – 30 | 3.3 | 1.500 |
| * Dimensioni variabili su richiesta * Variable size on request * Taille variable sur demande | | | | | | | |

Ruote in ferro con cresta e boccole in nylon
Iron wheel with crest and nylon bushings - Roues en toile avec crete et bagues en nylon


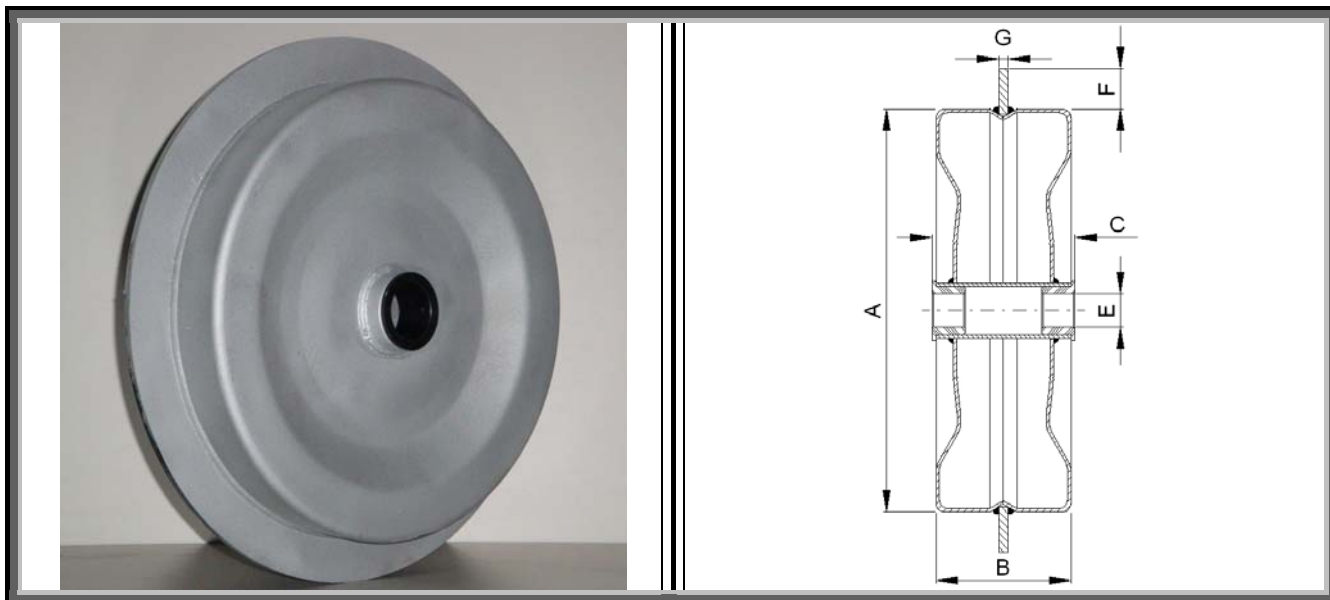
| Articolo <i>Item</i> <i>Article</i> | Diametro <i>Diameter</i> <i>Diametre</i> | Larghezza <i>Width</i> <i>Largeur</i> | Mozzo <i>Hub</i> <i>Moyeu</i> | Perno <i>Pin</i> <i>Axe</i> | Cresta <i>Crest</i> <i>Crete</i> | Spessore <i>Thickness</i> <i>Epesseur</i> | Portata <i>Capacity</i> <i>Charge</i> |
|---|--|---|-------------------------------------|-----------------------------------|--|---|---|
| | A | B * | C * | E * | F * - G * | S | kg |
| RFCA22508000 | 225 | 80 | 90 | 20 | 30 - 6 | 2 | 470 |
| RFCA22508001 | 225 | 80 | 90 | 25 | 30 - 6 | 2 | 470 |
| RFCA22508002 | 225 | 80 | 90 | 30 | 30 - 6 | 2 | 470 |
| RFCA23010001 | 230 | 100 | 110 | 25 | 30 - 6 | 2 | 500 |
| RFCA23010002 | 230 | 100 | 110 | 30 | 30 - 6 | 2 | 550 |
| RFCA25010001 | 250 | 100 | 110 | 25 | 30 - 6 | 2.3 | 650 |
| RFCA25010011 | 250 | 100 | 110 | 25 | 60 - 8 | 2.3 | 650 |
| RFCA25010002 | 250 | 100 | 110 | 30 | 30 - 6 | 2.3 | 650 |
| RFCA25010012 | 250 | 100 | 110 | 30 | 60 - 8 | 2.3 | 650 |
| RFCA28008001 | 280 | 80 | 90 | 25 | 30 - 6 | 2.3 | 750 |
| RFCA28008011 | 280 | 80 | 90 | 25 | 60 - 8 | 2.3 | 750 |
| RFCA28008002 | 280 | 80 | 90 | 30 | 30 - 6 | 2.3 | 750 |
| RFCA28008012 | 280 | 80 | 90 | 30 | 60 - 8 | 2.3 | 750 |
| RFCA28012001 | 280 | 120 | 130 | 25 | 30 - 6 | 2.5 | 850 |
| RFCA28012002 | 280 | 120 | 130 | 30 | 30 - 6 | 2.5 | 900 |

- * **Dimensioni variabili su richiesta**
- * *Variable size on request*
- * *Taille variable sur demande*

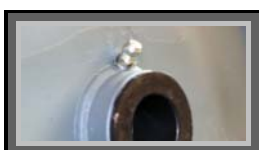
Continua →



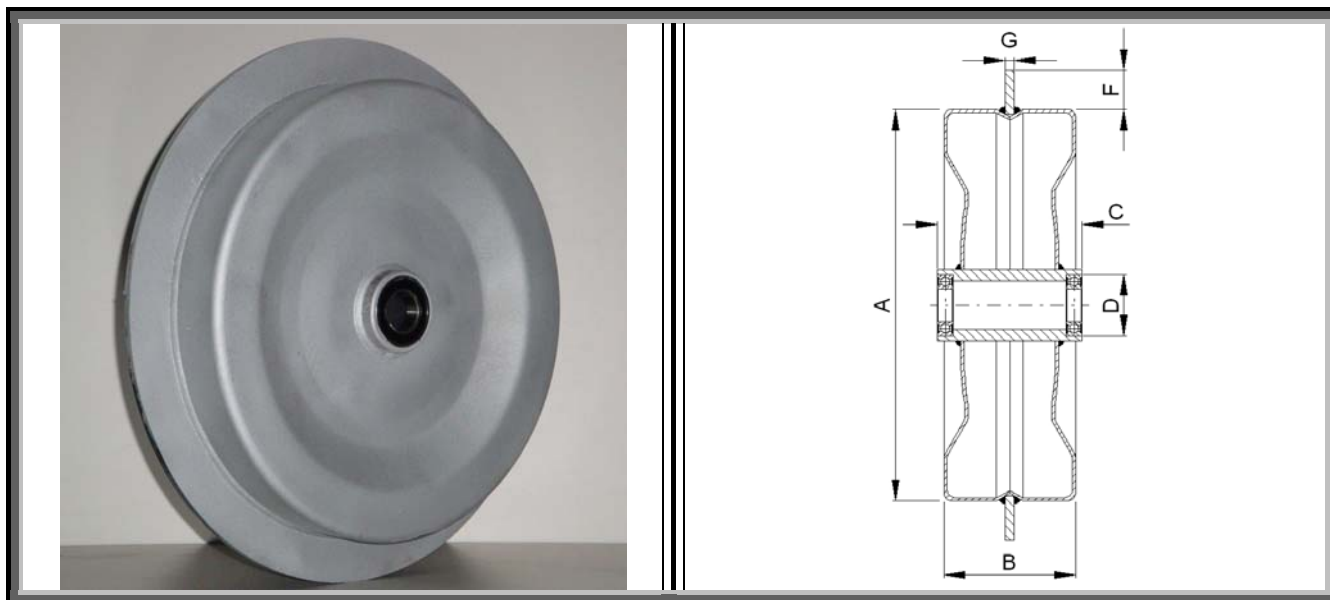
A richiesta, per tutti i modelli, con ingrassatore
Upon request, for all models, with grease nipples
Sur demande, pour tous les modèles, avec grasseur

Ruote in ferro con cresta e boccole in nylon
Iron wheel with crest and nylon bushings - Roues en tôle avec crête et bagues en nylon


| Articolo | Diametro | Larghezza | Mozzo | Perno | Cresta | Spessore | Portata |
|--|----------|-----------------------------------|-------|-------|--------------------------------------|-----------|----------|
| Item | Diameter | Width | Hub | Pin | Crest | Thickness | Capacity |
| Article | Diametre | Largeur | Moyeu | Axe | Crete | Epaisseur | Charge |
| | A | B * | C * | E * | F * - G * | S | Kg |
| RFCA28012012 | 280 | 120 | 130 | 30 | 60-8 | 2.5 | 950 |
| RFCA30010001 | 300 | 100 | 110 | 25 | 30-6 | 2.3 | 850 |
| RFCA30010011 | 300 | 100 | 110 | 25 | 60-8 | 2.3 | 850 |
| RFCA30010002 | 300 | 100 | 110 | 30 | 30-6 | 2.3 | 850 |
| RFCA30010012 | 300 | 100 | 110 | 30 | 60-8 | 2.3 | 850 |
| RFCA32010002 | 320 | 100 | 110 | 30 | 30-6 | 2.3 | 950 |
| RFCA32010012 | 320 | 100 | 110 | 30 | 60-8 | 2.5 | 950 |
| RFCA36010002 | 355 | 100 | 110 | 30 | 30-6 | 2.5 | 1.000 |
| RFCA36010012 | 355 | 100 | 110 | 30 | 60-8 | 2.5 | 1.000 |
| RFCA40010002 | 400 | 100 | 110 | 30 | 30-6 | 2.5 | 1.100 |
| RFCA40010012 | 400 | 100 | 110 | 30 | 60-8 | 2.5 | 1.100 |
| RFCA40015002 | 400 | 150 | 160 | 30 | 30-6 | 2.5 | 1.100 |
| RFCA40015012 | 400 | 150 | 160 | 30 | 60-8 | 2.5 | 1.100 |
| RFCA50010002 | 500 | 100 | 110 | 30 | 30-6 | 2.5 | 1.200 |
| RFCA50010012 | 500 | 100 | 110 | 30 | 60-8 | 2.5 | 1.200 |
| RFCA50015002 | 500 | 150 | 160 | 30 | 30-6 | 2.5 | 1.200 |
| RFCA50015012 | 500 | 150 | 160 | 30 | 60-8 | 2.5 | 1.200 |
| * <i>Dimensioni variabili su richiesta</i> | | * <i>Variable size on request</i> | | | * <i>Taille variable sur demande</i> | | |



A richiesta, per tutti i modelli, con ingrassatore
 Upon request, for all models, with grease nipples
 Sur demande, pour tous les modèles, avec grasseur

Ruote in ferro con cresta e mozzo porta cuscinetti
Iron wheel with crest and hub for bearings
Roues en tôle avec crête et moyeu pour les roulements


| Articolo | Diametro | Larghezza | Mozzo | Cuscinetti | Cresta | Spessore | Portata |
|--------------|----------|-----------|-------|------------|-----------|-----------|----------|
| Item | Diameter | Width | Hub | Bearings | Crest | Thickness | Capacity |
| Article | Diametre | Largeur | Moyeu | Roulements | Crete | Epaisseur | Charge |
| | A | B * | C * | E * | F * - G * | S | Kg |
| RFCB22508001 | 225 | 80 | 80 | 47 - 20 | 30 - 6 | 2 | 650 |
| RFCB22508002 | 225 | 80 | 80 | 52 - 25 | 30 - 6 | 2 | 650 |
| RFCB23010001 | 230 | 100 | 100 | 47 - 20 | 30 - 6 | 2 | 700 |
| RFCB23010002 | 230 | 100 | 100 | 52 - 25 | 30 - 6 | 2 | 750 |
| RFCB25010002 | 250 | 100 | 100 | 52 - 25 | 30 - 6 | 2.3 | 800 |
| RFCB25010012 | 250 | 100 | 100 | 52 - 25 | 60 - 8 | 2.3 | 800 |
| RFCB25010003 | 250 | 100 | 100 | 62 - 30 | 30 - 6 | 2.3 | 900 |
| RFCB25010013 | 250 | 100 | 100 | 62 - 30 | 60 - 8 | 2.3 | 900 |
| RFCB28008002 | 280 | 80 | 80 | 52 - 25 | 30 - 6 | 2.3 | 900 |
| RFCB28008012 | 280 | 80 | 80 | 52 - 25 | 60 - 8 | 2.3 | 900 |
| RFCB28008003 | 280 | 80 | 80 | 62 - 30 | 30 - 6 | 2.3 | 1.000 |
| RFCB28008013 | 280 | 80 | 80 | 62 - 30 | 60 - 8 | 2.3 | 1.000 |
| RFCB28012002 | 280 | 120 | 120 | 52 - 25 | 30 - 6 | 2.5 | 1.050 |
| RFCB28012003 | 280 | 120 | 120 | 62 - 30 | 30 - 6 | 2.5 | 1.100 |
| RFCB28012013 | 280 | 120 | 120 | 62 - 30 | 60 - 8 | 2.5 | 1.100 |
| RFCB30010002 | 300 | 100 | 100 | 52 - 25 | 30 - 6 | 2.3 | 1.000 |
| RFCB30010012 | 300 | 100 | 100 | 52 - 25 | 60 - 8 | 2.3 | 1.000 |
| RFCB30010003 | 300 | 100 | 100 | 62 - 30 | 30 - 6 | 2.3 | 1.100 |
| RFCB30010013 | 300 | 100 | 100 | 62 - 30 | 60 - 8 | 2.3 | 1.100 |

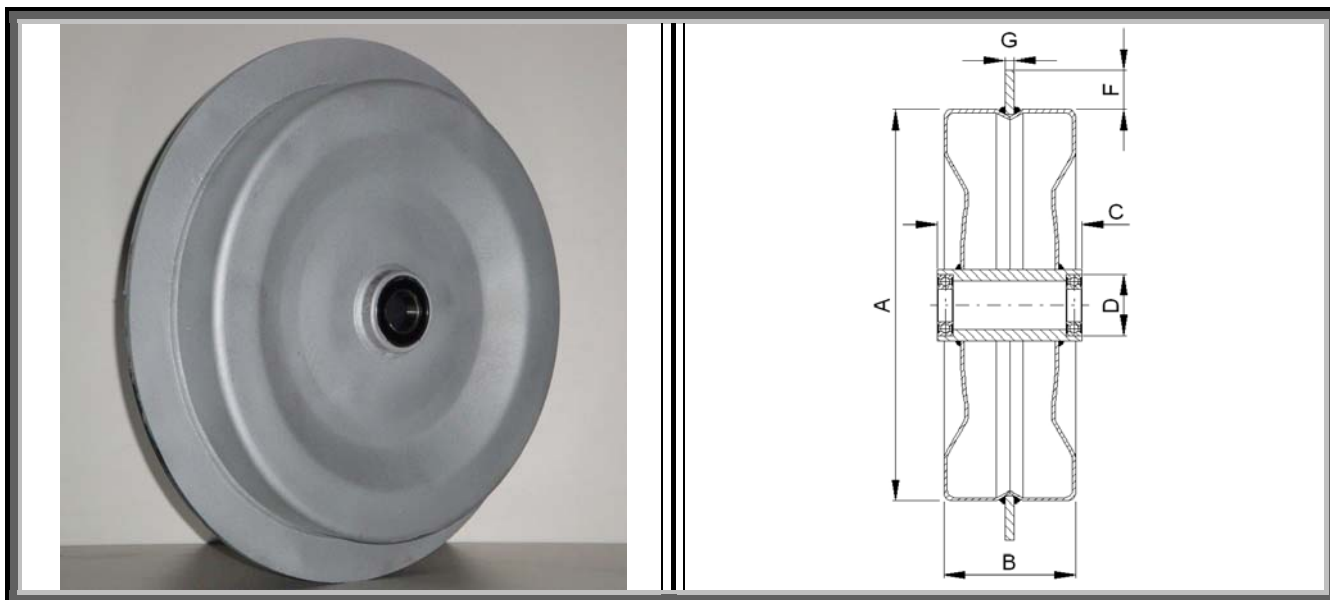
* **Dimensioni variabili su richiesta**
 * Variable size on request
 * Taille variable sur demande

Continua →

Ruote in ferro con cresta e mozzo porta cuscinetti

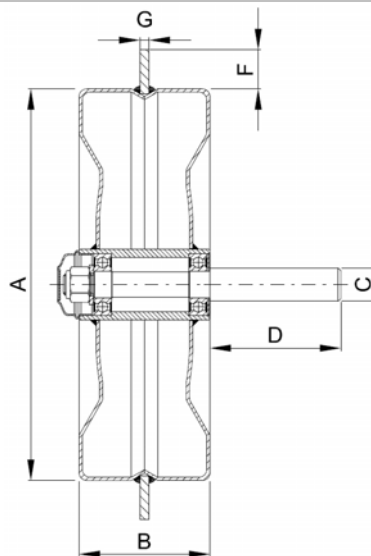
Iron wheel with crest and hub for bearings

Roues en tôle avec crete et moyeu pour les roulements



| Articolo | Diametro | Larghezza | Mozzo | Cuscinetti | Cresta | Spessore | Portata |
|--------------|----------|-----------|-------|------------|-----------|-----------|----------|
| Item | Diameter | Width | Hub | Bearings | Crest | Thickness | Capacity |
| Article | Diametre | Largeur | Moyeu | Roulements | Crete | Epaisseur | Charge |
| | A | B * | C * | E * | F * - G * | S | Kg |
| RFCB32010002 | 320 | 100 | 100 | 52 - 25 | 30 - 6 | 2.5 | 1.100 |
| RFCB32010012 | 320 | 100 | 100 | 52 - 25 | 60 - 8 | 2.5 | 1.100 |
| RFCB32010013 | 320 | 100 | 100 | 62 - 30 | 60 - 8 | 2.5 | 1.200 |
| RFCB36010002 | 355 | 100 | 100 | 52 - 25 | 30 - 6 | 2.5 | 1.200 |
| RFCB36010012 | 355 | 100 | 100 | 52 - 25 | 60 - 8 | 2.5 | 1.200 |
| RFCB36010013 | 355 | 100 | 100 | 62 - 30 | 60 - 8 | 2.5 | 1.300 |
| RFCB40010002 | 400 | 100 | 100 | 52 - 25 | 30 - 6 | 2.5 | 1.300 |
| RFCB40010012 | 400 | 100 | 100 | 52 - 25 | 60 - 8 | 2.5 | 1.300 |
| RFCB40010013 | 400 | 100 | 100 | 62 - 30 | 60 - 8 | 2.5 | 1.400 |
| RFC440015002 | 400 | 150 | 150 | 52 - 25 | 30 - 6 | 2.5 | 1.400 |
| RFCB40015012 | 400 | 150 | 150 | 52 - 25 | 60 - 8 | 2.5 | 1.400 |
| RFCB40015013 | 400 | 150 | 150 | 62 - 30 | 60 - 8 | 2.5 | 1.500 |
| RFCB40015014 | 400 | 150 | 150 | 72 - 30 | 60 - 8 | 2.5 | 1.600 |
| RFCB50010003 | 500 | 100 | 100 | 62 - 30 | 30 - 6 | 2.5 | 1.600 |
| RFCB50010013 | 500 | 100 | 100 | 62 - 30 | 60 - 8 | 2.5 | 1.600 |
| RFCB50010014 | 500 | 100 | 100 | 72 - 35 | 60 - 8 | 2.5 | 1.800 |
| RFCB50015003 | 500 | 150 | 150 | 62 - 30 | 30 - 6 | 2.5 | 1.700 |
| RFCB50015013 | 500 | 150 | 150 | 62 - 30 | 60 - 8 | 2.5 | 1.700 |
| RFCB50015014 | 500 | 150 | 150 | 72 - 35 | 60 - 8 | 2.5 | 1.900 |

* **Dimensioni variabili su richiesta**
 * *Variable size on request*
 * *Taille variable sur demande*

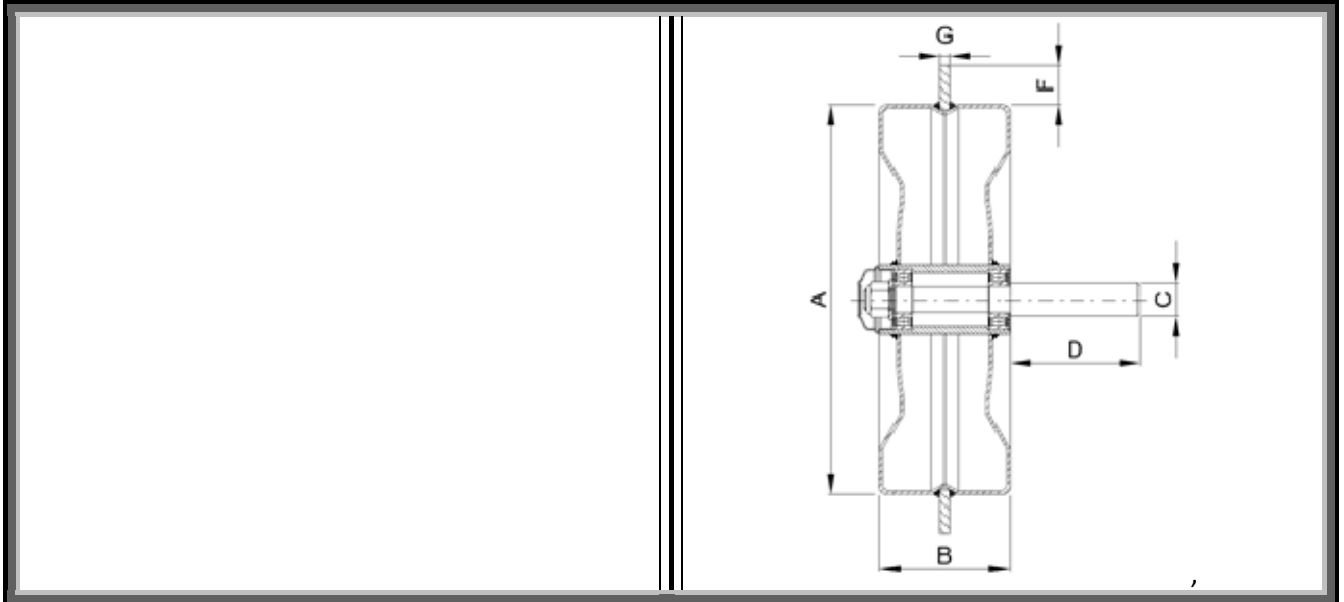
Ruote in ferro con cresta, cuscinetti e perno
Iron wheel with crest, bearings and pin
Roues en tôle avec crete, roulements et axe


| Articolo | Ruota – Wheel – Roue | | Perno – Pin – Axe | | Cresta-Crest-Crete | | Ruota – Wheel – Roue | |
|--------------|----------------------|-----------|-------------------|-----------|--------------------|-----------|----------------------|----------|
| | Diametro | Larghezza | Diametro | Lunghezza | Altezza | Spessore | Spessore | Portata |
| Item | Diameter | Width | Diameter | Length | Height | Thickness | Thickness | Capacity |
| Article | Diametre | Largeur | Diametre | Longueur | hauteur | Epaisseur | Epaisseur | Charge |
| | A | B * | C * | D * | F * | G * | S | Kg |
| RFCC22508001 | 225 | 80 | 25 | 100 | 30 | 6 | 2 | 650 |
| RFCC22508002 | 225 | 80 | 30 | 100 | 30 | 6 | 2 | 650 |
| RFCC23010001 | 230 | 100 | 25 | 100 | 30 | 6 | 2 | 700 |
| RFCC23010002 | 230 | 100 | 30 | 100 | 30 | 6 | 2 | 750 |
| RFCC25010002 | 250 | 100 | 30 | 100 | 30 | 6 | 2.3 | 800 |
| RFCC25010012 | 250 | 100 | 30 | 100 | 60 | 8 | 2.3 | 800 |
| RFCC25010003 | 250 | 100 | 35 | 100 | 30 | 6 | 2.3 | 900 |
| RFCC25010013 | 250 | 100 | 35 | 100 | 60 | 8 | 2.3 | 900 |
| RFCC28008002 | 280 | 80 | 30 | 100 | 30 | 6 | 2.3 | 900 |
| RFCC28008012 | 280 | 80 | 30 | 100 | 60 | 8 | 2.3 | 900 |
| RFCC28008003 | 280 | 80 | 35 | 100 | 30 | 6 | 2.3 | 1.000 |
| RFCC28008013 | 280 | 80 | 35 | 100 | 60 | 8 | 2.3 | 1.000 |
| RFCC28012002 | 280 | 120 | 30 | 100 | 30 | 6 | 2.5 | 1.050 |
| RFCC28012003 | 280 | 120 | 35 | 100 | 30 | 6 | 2.5 | 1.100 |
| RFCC28012013 | 280 | 120 | 35 | 100 | 60 | 8 | 2.5 | 1.100 |
| RFCC30010002 | 300 | 100 | 30 | 100 | 30 | 6 | 2.3 | 1.000 |
| RFCC30010012 | 300 | 100 | 30 | 100 | 60 | 8 | 2.3 | 1.000 |
| RFCC30010003 | 300 | 100 | 35 | 100 | 30 | 6 | 2.3 | 1.100 |
| RFCC30010013 | 300 | 100 | 35 | 100 | 60 | 8 | 2.3 | 1.100 |

- * **Dimensioni variabili su richiesta**
- * Variable size on request
- * Taille variable sur demande

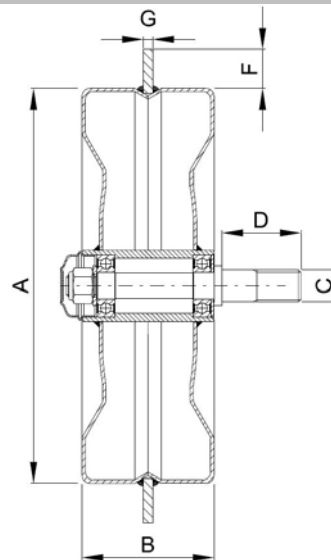
Continua →

Ruote in ferro con cresta, cuscinetti e perno
Iron wheel with crest, bearings and pin
Roues en tôle avec crete, roulements et axe



| Articolo <i>Item</i> <i>Article</i> | <u>Ruota - Wheel - Roue</u> | | <u>Perno - Pin - Axe</u> | | <u>Cresta-Crest-Crete</u> | | <u>Ruota - Wheel - Roue</u> | |
|---|--|---|--|---|--|--|--|---|
| | Diametro <i>Diameter</i> <i>Diametre</i> | Larghezza <i>Width</i> <i>Largeur</i> | Diametro <i>Diameter</i> <i>Diametre</i> | Lunghezza <i>Length</i> <i>Longueur</i> | Altezza <i>Height</i> <i>hauteur</i> | Spessore <i>Thickness</i> <i>Epaisseur</i> | Spessore <i>Thickness</i> <i>Epaisseur</i> | Portata <i>Capacity</i> <i>Charge</i> |
| | A | B * | C * | D * | F * | G * | S | Kg |
| RFCC32010002 | 320 | 100 | 30 | 100 | 30 | 6 | 2.5 | 1.100 |
| RFCC32010012 | 320 | 100 | 30 | 100 | 60 | 8 | 2.5 | 1.100 |
| RFCC32010013 | 320 | 100 | 35 | 100 | 60 | 8 | 2.5 | 1.200 |
| RFCC36010002 | 355 | 100 | 30 | 100 | 30 | 6 | 2.5 | 1.200 |
| RFCC36010012 | 355 | 100 | 30 | 100 | 60 | 8 | 2.5 | 1.200 |
| RFCC36010013 | 355 | 100 | 35 | 100 | 60 | 8 | 2.5 | 1.300 |
| RFCC40010002 | 400 | 100 | 30 | 100 | 30 | 6 | 2.5 | 1.300 |
| RFCC40010012 | 400 | 100 | 30 | 100 | 60 | 8 | 2.5 | 1.300 |
| RFCC40010013 | 400 | 100 | 35 | 100 | 60 | 8 | 2.5 | 1.400 |
| RFCC40015002 | 400 | 150 | 30 | 100 | 30 | 6 | 2.5 | 1.400 |
| RFCC40015012 | 400 | 150 | 30 | 100 | 60 | 8 | 2.5 | 1.400 |
| RFCC40015013 | 400 | 150 | 35 | 100 | 60 | 8 | 2.5 | 1.500 |
| RFCC40015014 | 400 | 150 | 40 | 100 | 60 | 8 | 2.5 | 1.600 |
| RFCC50010003 | 500 | 100 | 35 | 100 | 30 | 6 | 2.5 | 1.600 |
| RFCC50010013 | 500 | 100 | 35 | 100 | 60 | 8 | 2.5 | 1.600 |
| RFCC50010014 | 500 | 100 | 40 | 100 | 60 | 8 | 2.5 | 1.800 |
| RFCC50015003 | 500 | 150 | 35 | 100 | 30 | 6 | 2.5 | 1.700 |
| RFCC50015013 | 500 | 150 | 35 | 100 | 60 | 8 | 2.5 | 1.700 |
| RFCC50015014 | 500 | 150 | 40 | 100 | 60 | 8 | 2.5 | 1.900 |

* **Dimensioni variabili su richiesta** * *Variable size on request*
 * *Taille variable sur demande*

Ruote in ferro con cresta, cuscinetti e perno filettato
Iron wheel with crest, bearings and threaded pin
Roues en tôle avec crete, roulements et axe fileté


| Articolo <i>Item</i> <i>Article</i> | Ruota – Wheel – Roue | | Perno – Pin – Axe | | Cresta-Crest-Crete | | Ruota – Wheel – Roue | |
|---|--|---|--|---|--|--|--|---|
| | Diametro <i>Diameter</i> <i>Diametre</i> | Larghezza <i>Width</i> <i>Largeur</i> | Diametro <i>Diameter</i> <i>Diametre</i> | Lunghezza <i>Length</i> <i>Longueur</i> | Altezza <i>Height</i> <i>hauteur</i> | Spessore <i>Thickness</i> <i>Epaisseur</i> | Spessore <i>Thickness</i> <i>Epaisseur</i> | Portata <i>Capacity</i> <i>Charge</i> |
| | A | B * | C * | D * | F * | G * | S | Kg |
| RFCD22508001 | 225 | 80 | M20 | 045 | 30 | 6 | 2 | 650 |
| RFCD22508002 | 225 | 80 | M24 | 060 | 30 | 6 | 2 | 650 |
| RFCD23010001 | 230 | 100 | M20 | 045 | 30 | 6 | 2 | 700 |
| RFCD23010002 | 230 | 100 | M30 | 080 | 30 | 6 | 2 | 750 |
| RFCD25010002 | 250 | 100 | M24 | 060 | 30 | 6 | 2.3 | 800 |
| RFCD25010012 | 250 | 100 | M24 | 060 | 60 | 8 | 2.3 | 800 |
| RFCD25010003 | 250 | 100 | M30 | 080 | 30 | 6 | 2.3 | 900 |
| RFCD25010013 | 250 | 100 | M30 | 080 | 60 | 8 | 2.3 | 900 |
| RFCD28008002 | 280 | 80 | M24 | 060 | 30 | 6 | 2.3 | 900 |
| RFCD28008012 | 280 | 80 | M24 | 060 | 60 | 8 | 2.3 | 900 |
| RFCD28008003 | 280 | 80 | M30 | 080 | 30 | 6 | 2.3 | 1.000 |
| RFCD28008013 | 280 | 80 | M30 | 080 | 60 | 8 | 2.3 | 1.000 |
| RFCD28012002 | 280 | 120 | M24 | 060 | 30 | 6 | 2.5 | 1.050 |
| RFCD28012003 | 280 | 120 | M30 | 080 | 30 | 6 | 2.5 | 1.100 |
| RFCD28012013 | 280 | 120 | M30 | 080 | 60 | 8 | 2.5 | 1.100 |
| RFCD30010002 | 300 | 100 | M24 | 060 | 30 | 6 | 2.3 | 1.000 |
| RFCD30010012 | 300 | 100 | M24 | 060 | 60 | 8 | 2.3 | 1.000 |
| RFCD30010003 | 300 | 100 | M30 | 080 | 30 | 6 | 2.3 | 1.100 |
| RFCD30010013 | 300 | 100 | M30 | 080 | 60 | 8 | 2.3 | 1.100 |

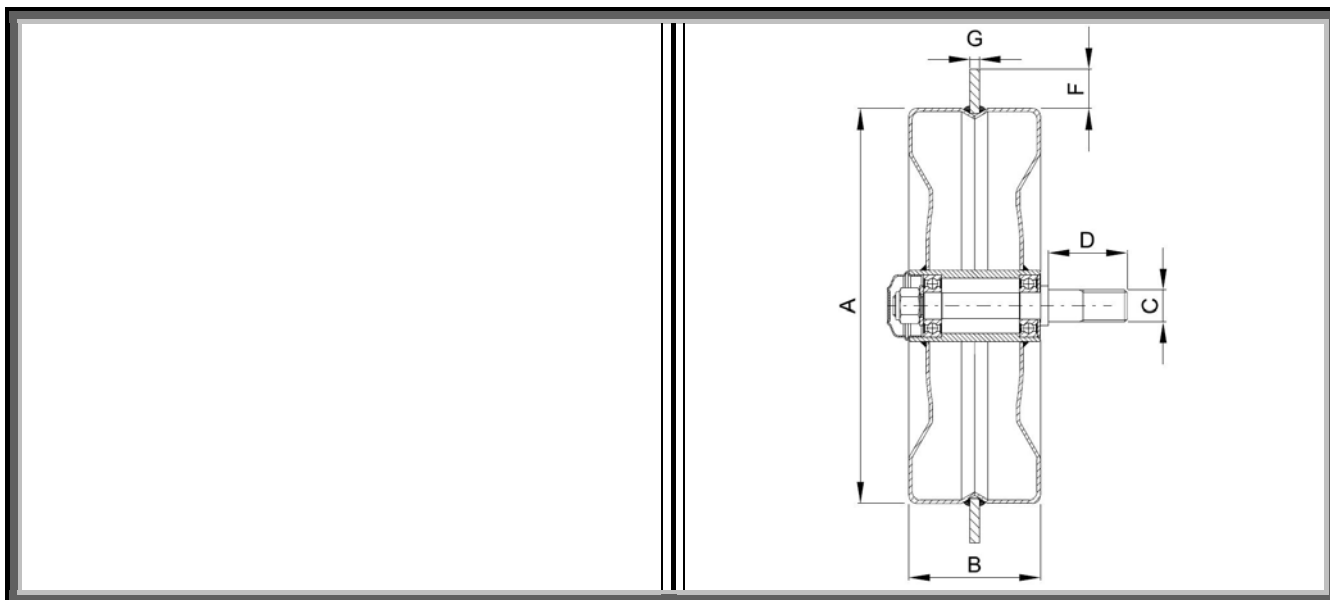
- * **Dimensioni variabili su richiesta**
- * *Variable size on request*
- * *Taille variable sur demande*

Continua →

Ruote in ferro con cresta, cuscinetti e perno filettato

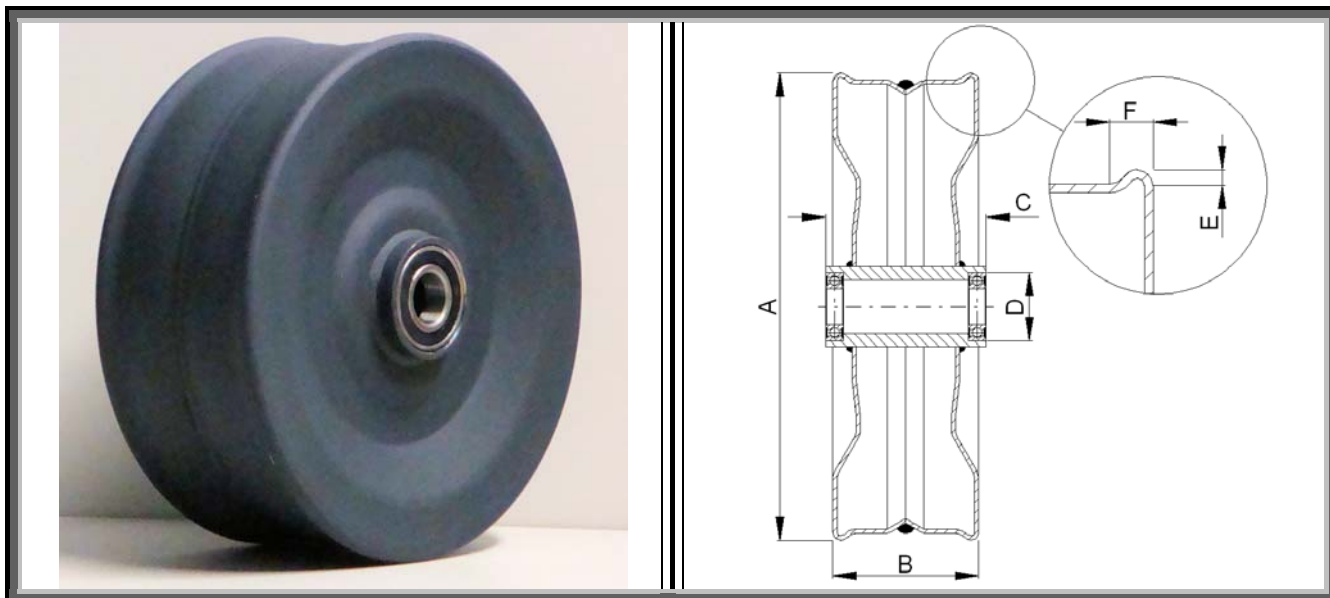
Iron wheel with crest, bearings and threaded pin

Roues en tôle avec crete, roulements et axe fileté

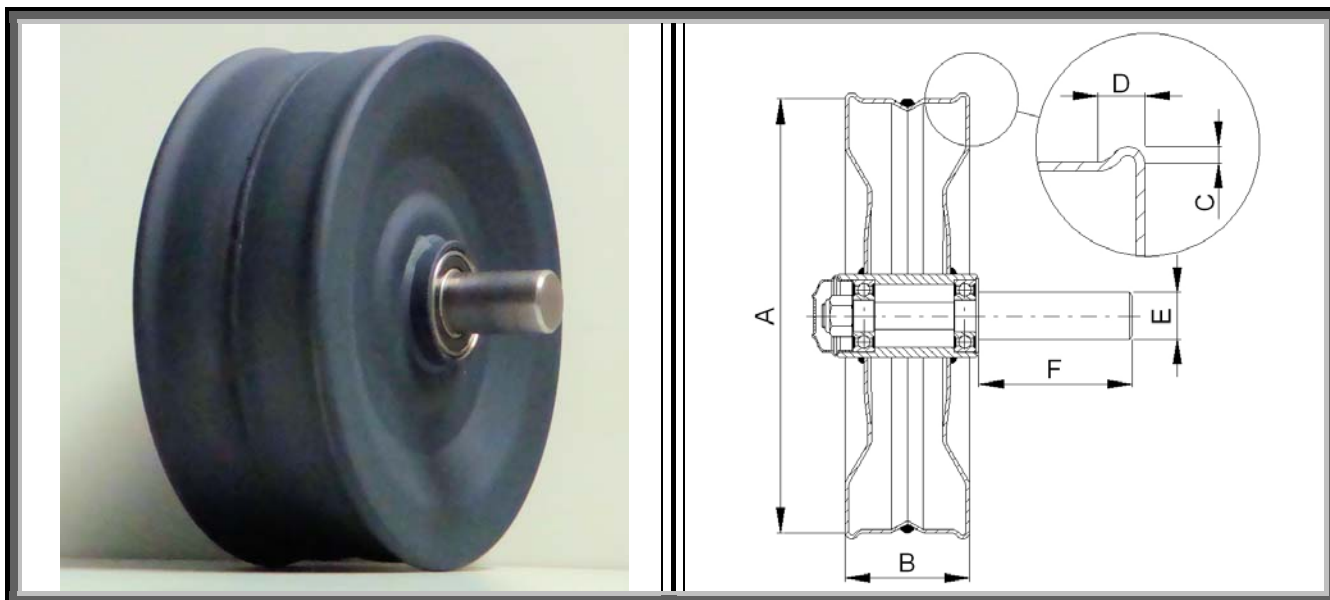


| Articolo <i>Item</i> <i>Article</i> | Ruota – Wheel – Roue | | Perno – Pin – Axe | | Cresta-Crest-Crete | | Ruota – Wheel – Roue | |
|---|--|---|--|---|--|--|--|---|
| | Diametro <i>Diameter</i> <i>Diametre</i> | Larghezza <i>Width</i> <i>Largeur</i> | Diametro <i>Diameter</i> <i>Diametre</i> | Lunghezza <i>Length</i> <i>Longueur</i> | Altezza <i>Height</i> <i>hauteur</i> | Spessore <i>Thickness</i> <i>Epaisseur</i> | Spessore <i>Thickness</i> <i>Epaisseur</i> | Portata <i>Capacity</i> <i>Charge</i> |
| | A | B * | C * | D * | F * | G * | S | Kg |
| RFCD32010002 | 320 | 100 | M24 | 060 | 30 | 6 | 2.5 | 1.100 |
| RFCD32010012 | 320 | 100 | M24 | 060 | 60 | 8 | 2.5 | 1.100 |
| RFCD32010013 | 320 | 100 | M30 | 080 | 60 | 8 | 2.5 | 1.200 |
| RFCD36010002 | 355 | 100 | M24 | 060 | 30 | 6 | 2.5 | 1.200 |
| RFCD36010012 | 355 | 100 | M24 | 060 | 60 | 8 | 2.5 | 1.200 |
| RFCD36010013 | 355 | 100 | M30 | 080 | 60 | 8 | 2.5 | 1.300 |
| RFCD40010002 | 400 | 100 | M24 | 060 | 30 | 6 | 2.5 | 1.300 |
| RFCD40010012 | 400 | 100 | M24 | 060 | 60 | 8 | 2.5 | 1.300 |
| RFCD40010013 | 400 | 100 | M30 | 080 | 60 | 8 | 2.5 | 1.400 |
| RFCD40015002 | 400 | 150 | M24 | 060 | 30 | 6 | 2.5 | 1.400 |
| RFCD40015012 | 400 | 150 | M24 | 060 | 60 | 8 | 2.5 | 1.400 |
| RFCD40015013 | 400 | 150 | M30 | 080 | 60 | 8 | 2.5 | 1.500 |
| RFCD40015014 | 400 | 150 | M36 | 090 | 60 | 8 | 2.5 | 1.600 |
| RFCD50010003 | 500 | 100 | M30 | 080 | 30 | 6 | 2.5 | 1.600 |
| RFCD50010013 | 500 | 100 | M30 | 080 | 60 | 8 | 2.5 | 1.600 |
| RFCD50010014 | 500 | 100 | M36 | 090 | 60 | 8 | 2.5 | 1.800 |
| RFCD50015003 | 500 | 150 | M30 | 080 | 30 | 6 | 2.5 | 1.700 |
| RFCD50015013 | 500 | 150 | M30 | 080 | 60 | 8 | 2.5 | 1.700 |
| RFCD50015014 | 500 | 150 | M36 | 090 | 60 | 8 | 2.5 | 1.900 |

* **Dimensioni variabili su richiesta** * *Variable size on request*
 * *Taille variable sur demande*

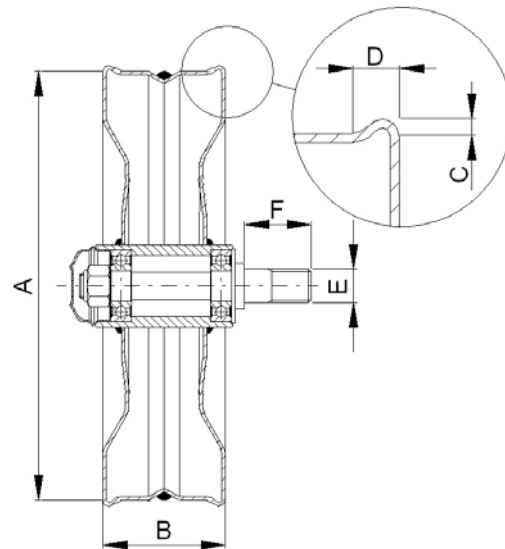
Ruote in ferro con bordo rialzato e mozzo porta cuscinetti
Iron wheels with raised edge and hub for bearings
Roues en tôle avec bord soulevés et moyeu pour les roulements


| Articolo | Diametro | Larghezza | Mozzo | Cuscinetti | Bordo rialzato | | Spessore | Portata |
|---|----------|-----------|-------|------------|----------------|----|-----------|----------|
| Item | Diameter | Width | Hub | Bearings | raised edge | | Thickness | Capacity |
| Article | Diametre | Largeur | Moyeu | Roulements | soulevées bord | | Epaisseur | Charge |
| | A | B | C * | D * | E | F | S | Kg |
| RFBA25010002 | 250 | 100 | 100 | 52 – 25 | 5 | 12 | 2.3 | 750 |
| RFBA25010003 | 250 | 100 | 100 | 62 – 30 | 5 | 12 | 2.3 | 750 |
| * Dimensioni variabili su richiesta * Variable size on request * Taille variable sur demande | | | | | | | | |

Ruote in ferro con bordo rialzato, cuscinetti e perno
Iron wheels with raised edge, bearings and pin
Roues en tôle avec bord soulevés, roulements et axe


| Articolo <i>Item</i> <i>Article</i> | Ruota – Wheel – Roue | | | | Perno – Pin – Axe | | Ruota – Wheel – Roue | |
|---|----------------------|----------------|-----------------------|----------|-------------------|-----------------|----------------------|-----------------|
| | Diametro | Larghezza | Bordo rialzato | | Diametro | Lunghezza | Spessore | Portata |
| | <i>Diameter</i> | <i>Width</i> | <i>raised edge</i> | | <i>Diameter</i> | <i>Length</i> | <i>Thickness</i> | <i>Capacity</i> |
| | <i>Diametre</i> | <i>Largeur</i> | <i>soulevées bord</i> | | <i>Diametre</i> | <i>Longueur</i> | <i>Epaisseur</i> | <i>Charge</i> |
| | A | B | C | D | E * | F * | S | Kg |
| RFBB25010002 | 250 | 100 | 5 | 12 | 30 | 50 | 2.3 | 800 |
| RFBB25010012 | 250 | 100 | 5 | 12 | 30 | 100 | 2.3 | 800 |
| RFBB25010002 | 250 | 100 | 5 | 12 | 30 | 50 | 2.3 | 900 |
| RFBB25010012 | 250 | 100 | 5 | 12 | 30 | 100 | 2.3 | 900 |

* **Dimensioni variabili su richiesta**
 * *Variable size on request*
 * *Taille variable sur demande*

Ruote in ferro con bordo rialzato, cuscinetti e perno filettato
Iron wheels with raised edge, bearings and threaded pin
Roues en tôle avec bord soulevés, roulements et axe fileté


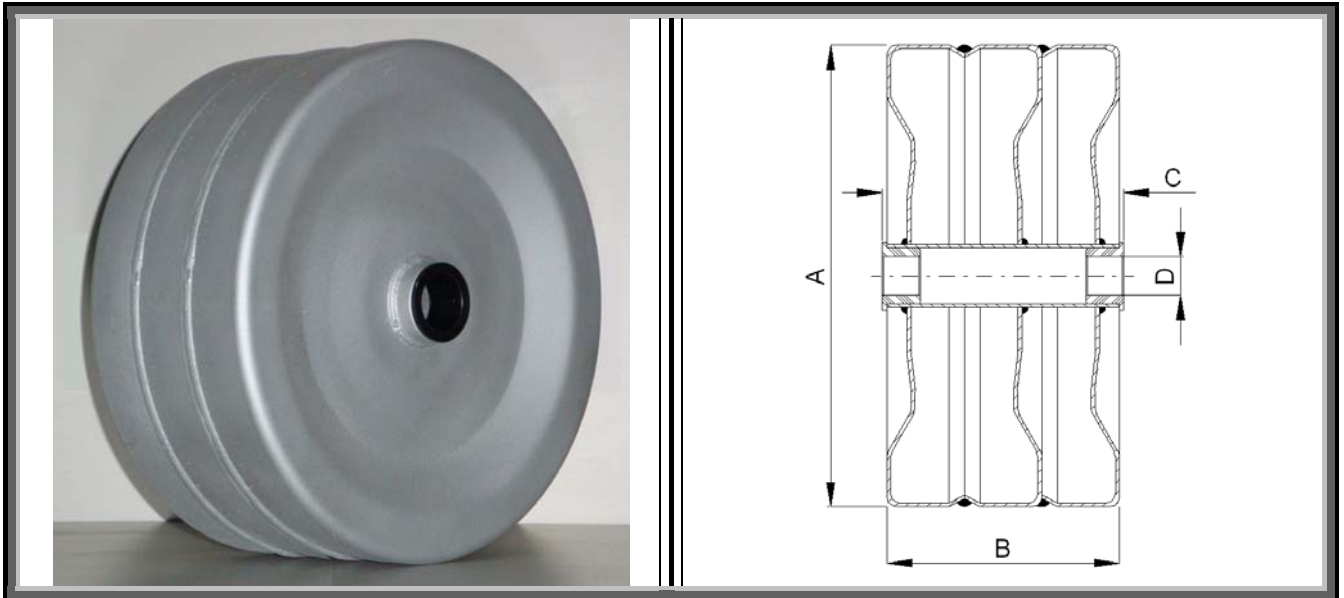
| Articolo <i>Item</i> <i>Article</i> | Ruota – Wheel – Roue | | | | Perno – Pin – Axe | | Spessore <i>Thickness</i> <i>Epaisseur</i> | Portata <i>Capacity</i> <i>Charge</i> |
|---|--|---|---|----------|--|---|--|---|
| | Diametro <i>Diameter</i> <i>Diametre</i> | Larghezza <i>Width</i> <i>Largeur</i> | Bordo rialzato <i>Raised edge</i> <i>Soulevées bord</i> | | Diametro <i>Diameter</i> <i>Diametre</i> | Lunghezza <i>Length</i> <i>Longueur</i> | | |
| | A | B | C | D | E * | F * | S | Kg |
| RFBC25010011 | 250 | 100 | 5 | 12 | M24 | 60 | 2.3 | 800 |
| RFBC25010022 | 250 | 100 | 5 | 12 | M30 | 80 | 2.3 | 900 |

* **Dimensioni variabili su richiesta**
 * *Variable size on request*
 * *Taille variable sur demande*

Ruote in ferro larghe con boccia in nylon

Large flat iron wheels with nylon bushings

Grand roues en tôle avec bagues en nylon



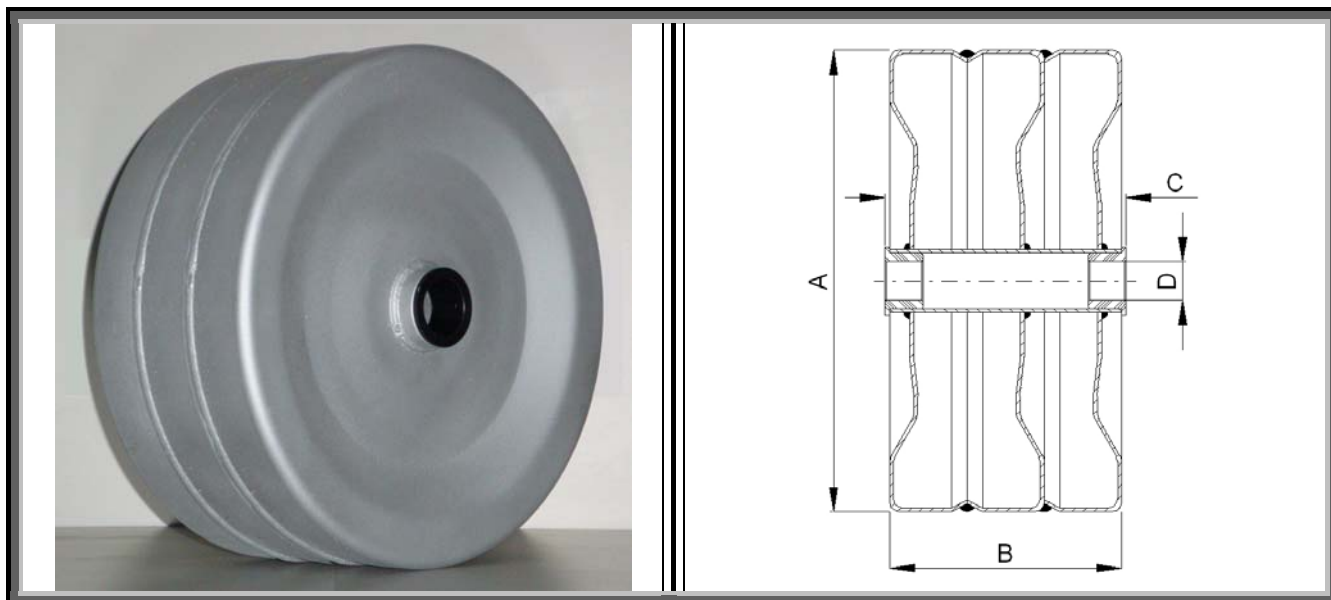
| Articolo | Diametro | Larghezza | Mozzo | Perno | Spessore | Portata |
|----------------|-----------------|----------------|--------------|------------|------------------|-----------------|
| <i>Item</i> | <i>Diameter</i> | <i>Width</i> | <i>Hub</i> | <i>Pin</i> | <i>Thickness</i> | <i>Capacity</i> |
| <i>Article</i> | <i>Diametre</i> | <i>Largeur</i> | <i>Moyeu</i> | <i>Axe</i> | <i>Epesseur</i> | <i>Charge</i> |
| | A | B * | C * | D * | S | Kg |
| RFPE14509500 | 145 | 95 | 100 | 20 | 2 | 650 |
| RFPE16009000 | 160 | 90 | 100 | 20 | 2 | 650 |
| RFPE16012001 | 160 | 120 | 130 | 25 | 2 | 700 |
| RFPE19012000 | 190 | 120 | 130 | 20 | 2 | 650 |
| RFPE19015000 | 190 | 150 | 160 | 20 | 2 | 650 |
| RFPE19015001 | 190 | 150 | 160 | 25 | 2 | 750 |
| RFPE22509000 | 225 | 90 | 100 | 20 | 2 | 650 |
| RFPE22510000 | 225 | 100 | 110 | 20 | 2 | 650 |
| RFPE22510001 | 225 | 100 | 110 | 25 | 2 | 750 |
| RFPE22512000 | 225 | 120 | 130 | 20 | 2 | 650 |
| RFPE22512001 | 225 | 120 | 130 | 25 | 2 | 750 |
| RFPE22512002 | 225 | 120 | 130 | 30 | 2 | 800 |
| RFPE23015001 | 230 | 150 | 160 | 25 | 2 | 800 |
| RFPE23015002 | 230 | 150 | 160 | 30 | 2 | 850 |
| RFPE25015001 | 250 | 150 | 160 | 25 | 2.3 | 850 |
| RFPE25015002 | 250 | 150 | 160 | 30 | 2.3 | 900 |

* **Dimensioni variabili su richiesta**

* *Variable size on request*

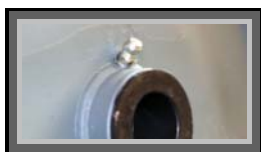
* *Taille variable sur demande*

Continua →

Ruote in ferro larghe con boccia in nylon
Large flat iron wheels with nylon bushings
Grand roues en tôle avec bagues en nylon


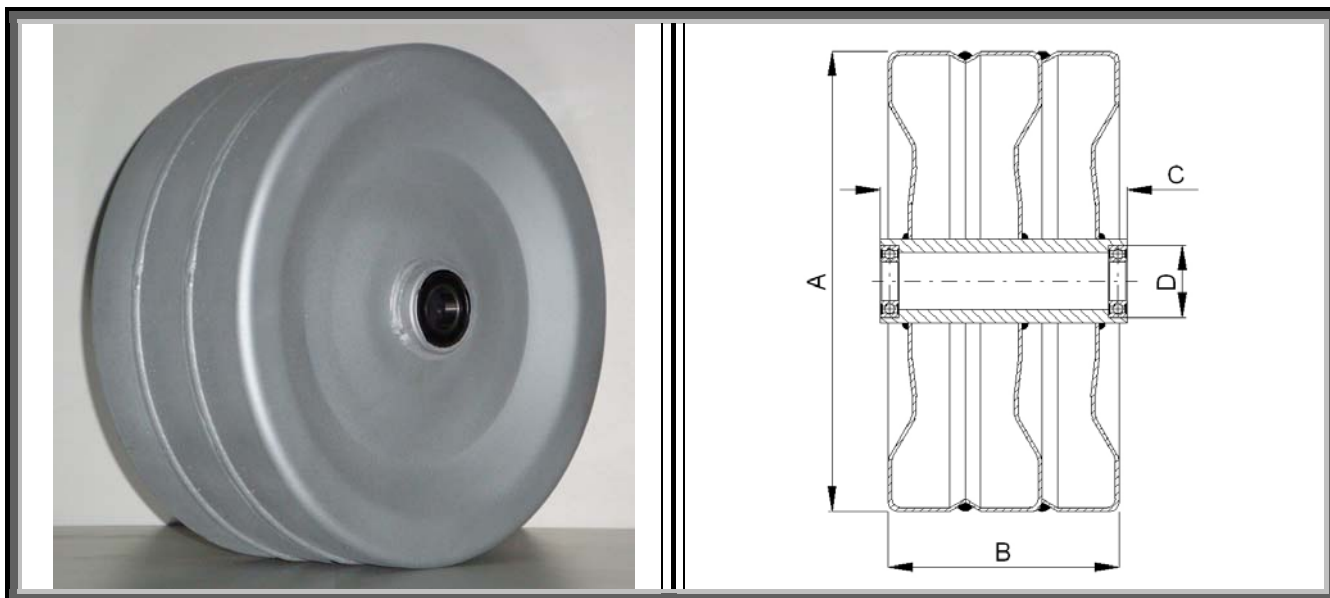
| Articolo | Diametro | Larghezza | Mozzo | Perno | Spessore | Portata |
|--------------|----------|-----------|-------|-------|-----------|----------|
| Item | Diameter | Width | Hub | Pin | Thickness | Capacity |
| Article | Diametre | Largeur | Moyeu | Axe | Epesseur | Charge |
| | A | B * | C * | D * | S | Kg |
| RFPE28012001 | 280 | 120 | 130 | 25 | 2.3 | 850 |
| RFPE28012002 | 280 | 120 | 130 | 30 | 2.3 | 1.000 |
| RFPE28018001 | 280 | 180 | 190 | 25 | 2.5 | 900 |
| RFPE28018002 | 280 | 180 | 190 | 30 | 2.5 | 1.000 |
| RFPE30015001 | 300 | 150 | 160 | 25 | 2.3 | 850 |
| RFPE30015002 | 300 | 150 | 160 | 30 | 2.3 | 1.000 |
| RFPE32015002 | 320 | 150 | 160 | 30 | 2.5 | 1.100 |
| RFPE36015002 | 355 | 150 | 160 | 30 | 2.5 | 1.100 |
| RFPE40015002 | 400 | 150 | 160 | 30 | 2.5 | 1.200 |
| RFPE40020002 | 400 | 200 | 210 | 30 | 2.5 | 1.200 |
| RFPE40022502 | 400 | 225 | 235 | 30 | 2.5 | 1.200 |
| RFPE50015002 | 500 | 150 | 160 | 30 | 2.5 | 1.300 |
| RFPE50020002 | 500 | 200 | 210 | 30 | 2.5 | 1.300 |
| RFPE50022502 | 500 | 225 | 235 | 30 | 2.5 | 1.300 |

* **Dimensioni variabili su richiesta**
 * Variable size on request
 * Taille variable sur demande



A richiesta, per tutti i modelli, con ingrassatore
 Upon request, for all models, with grease nipples
 Sur demande, pour tous les modèles, avec grasseur

Ruote in ferro larghe con mozzo porta cuscinetti
Large flat iron wheels with hub for bearings
Grand roues en tôle plates avec moyeu pour les roulements



| Articolo | Diametro | Larghezza | Mozzo | Cuscinetti | Spessore | Portata |
|--------------|----------|-----------|-------|------------|-----------|----------|
| Item | Diameter | Width | Hub | Bearings | Thickness | Capacity |
| Article | Diametre | Largeur | Moyeu | Roulements | Epaisseur | Charge |
| | A | B * | C * | D * | S | Kg |
| RFPF14509500 | 145 | 95 | 95 | 42 – 20 | 2 | 700 |
| RFPF16009001 | 160 | 90 | 90 | 47 – 20 | 2 | 750 |
| RFPF16012001 | 160 | 120 | 120 | 47 – 20 | 2 | 750 |
| RFPF19012001 | 190 | 120 | 120 | 47 – 20 | 2 | 750 |
| RFPF19012002 | 190 | 120 | 120 | 52 – 25 | 2 | 850 |
| RFPF19015001 | 190 | 150 | 150 | 47 – 20 | 2 | 750 |
| RFPF19015002 | 190 | 150 | 150 | 52 – 25 | 2 | 900 |
| RFPF22509001 | 225 | 90 | 90 | 47 – 20 | 2 | 850 |
| RFPF22510001 | 225 | 100 | 100 | 47 – 20 | 2 | 850 |
| RFPF22510002 | 225 | 100 | 100 | 52 – 25 | 2 | 950 |
| RFPF22512001 | 225 | 120 | 120 | 47 – 20 | 2 | 850 |
| RFPF22512002 | 225 | 120 | 120 | 52 – 25 | 2 | 950 |
| RFPF23015001 | 230 | 150 | 150 | 47 – 20 | 2 | 850 |
| RFPF23015002 | 230 | 150 | 150 | 52 – 25 | 2 | 950 |
| RFPF25015002 | 250 | 150 | 150 | 52 – 25 | 2.3 | 1.000 |
| RFPF25015003 | 250 | 150 | 150 | 62 – 30 | 2.3 | 1.200 |
| RFPF28012002 | 280 | 120 | 120 | 52 – 25 | 2.3 | 1.100 |
| RFPF28012003 | 280 | 120 | 120 | 62 – 30 | 2.3 | 1.400 |
| RFPF28018002 | 280 | 180 | 180 | 52 – 25 | 2.5 | 1.500 |

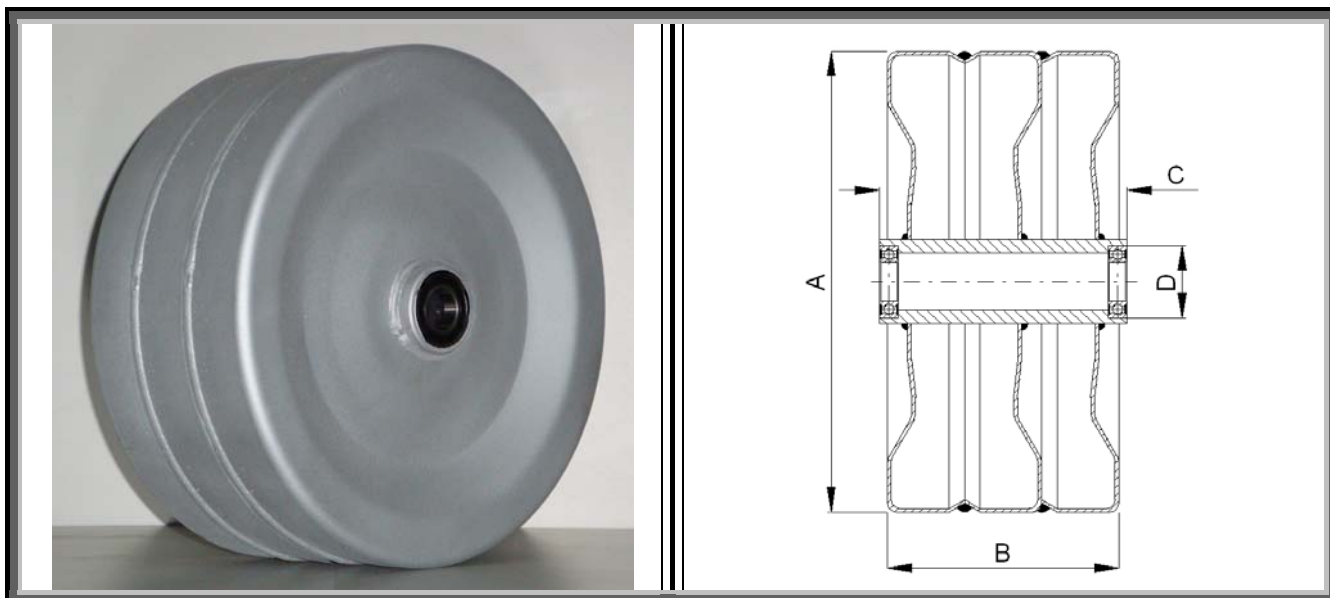
* **Dimensioni variabili su richiesta**

* Variable size on request

* Taille variable sur demande

Continua →

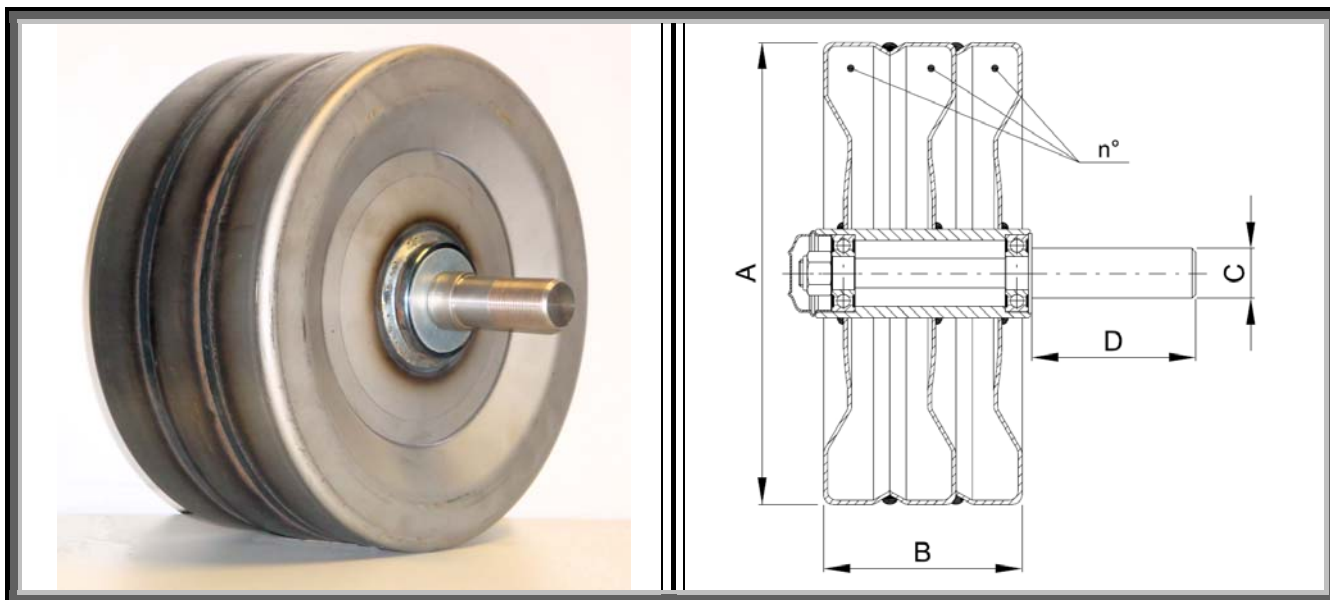
Ruote in ferro larghe con mozzo porta cuscinetti
Large flat iron wheels with hub for bearings
Grand roues en tôle plates avec moyeu pour les roulements



| Articolo <i>Item</i> <i>Article</i> | Diametro <i>Diameter</i> <i>Diametre</i> | Larghezza <i>Width</i> <i>Largeur</i> | Mozzo <i>Hub</i> <i>Moyeu</i> | Cuscinetti <i>Bearings</i> <i>Roulements</i> | Spessore <i>Thickness</i> <i>Epaisseur</i> | Portata <i>Capacity</i> <i>Charge</i> |
|---|--|---|-------------------------------------|--|--|---|
| | A | B * | C * | D * | S | Kg |
| RFPP28018003 | 280 | 180 | 180 | 62 – 30 | 2.5 | 1.600 |
| RFPP30015002 | 300 | 150 | 150 | 52 – 25 | 2.3 | 1.100 |
| RFPP30015003 | 300 | 150 | 150 | 62 – 30 | 2.3 | 1.500 |
| RFPP32015002 | 320 | 150 | 150 | 52 – 25 | 2.5 | 1.200 |
| RFPP32015003 | 320 | 150 | 150 | 62 – 30 | 2.5 | 1.600 |
| RFPP36015002 | 355 | 150 | 150 | 52 – 25 | 2.5 | 1.100 |
| RFPP36015003 | 355 | 150 | 150 | 62 – 30 | 2.5 | 1.300 |
| RFPP40015002 | 400 | 150 | 150 | 52 – 25 | 2.5 | 1.200 |
| RFPP40015003 | 400 | 150 | 150 | 62 – 30 | 2.5 | 1.600 |
| RFPP40015004 | 400 | 150 | 150 | 72 – 35 | 2.5 | 1.800 |
| RFPP40020003 | 400 | 200 | 200 | 62 – 30 | 2.5 | 1.800 |
| RFPP40020004 | 400 | 200 | 200 | 72 – 35 | 2.5 | 2.000 |
| RFPP40022503 | 400 | 225 | 225 | 62 – 30 | 2.5 | 1.800 |
| RFPP40022504 | 400 | 225 | 225 | 72 – 35 | 2.5 | 2.000 |
| RFPP50015003 | 500 | 150 | 150 | 62 – 30 | 2.5 | 2.000 |
| RFPP50015004 | 500 | 150 | 150 | 72 – 35 | 2.5 | 2.200 |
| RFPP50020003 | 500 | 150 | 200 | 62 – 30 | 2.5 | 2.000 |
| RFPP50020004 | 500 | 150 | 200 | 72 – 35 | 2.5 | 2.200 |
| RFPP50022503 | 500 | 225 | 225 | 62 – 30 | 2.5 | 2.200 |
| RFPP50022504 | 500 | 225 | 225 | 72 – 35 | 2.5 | 2.400 |

* **Dimensioni variabili su richiesta**
 * *Variable size on request*
 * *Taille variable sur demande*

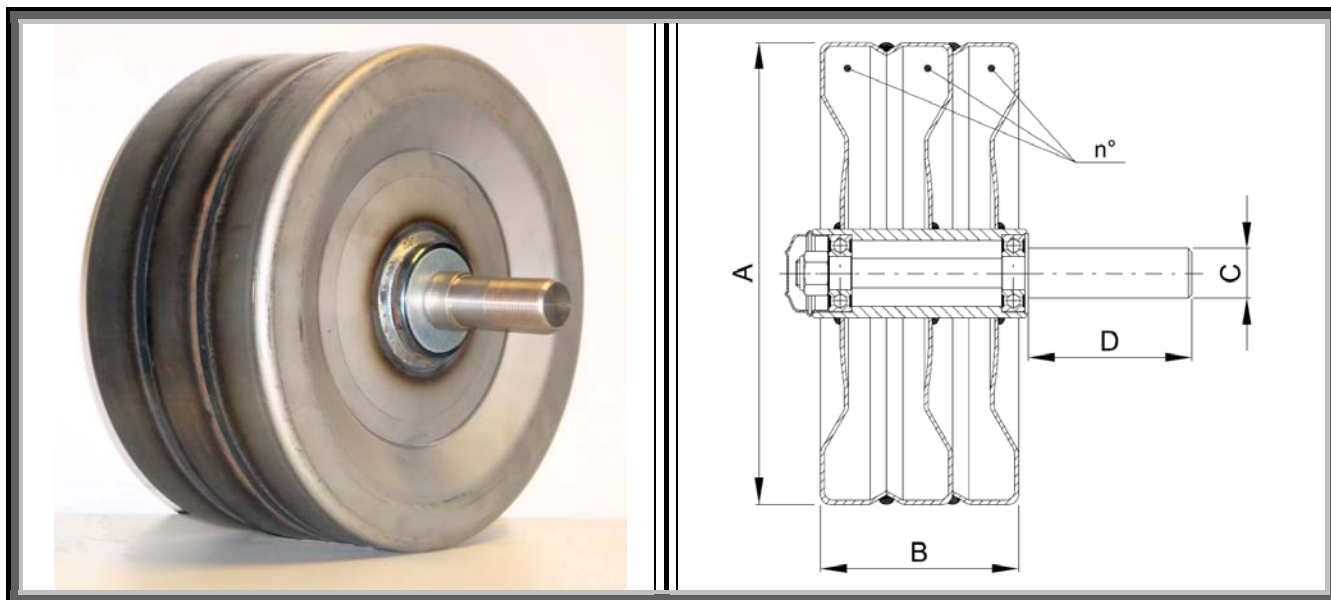
Ruote in ferro larghe con cuscinetti e perno
Large flat iron wheels with bearings and pin
Grand roues en tôle plates avec roulements et axe



| Articolo <i>Item</i> <i>Article</i> | Ruota – Wheel – Roue | | | Perno – Pin – Axe | | | Spessore <i>Thickness</i> <i>Epaisseur</i> | Portata <i>Capacity</i> <i>Charge</i> |
|---|--|---|--|--|---|--|--|---|
| | Diametro <i>Diameter</i> <i>Diametre</i> | Larghezza <i>Width</i> <i>Largeur</i> | Settori <i>Sectors</i> <i>Secteurs</i> | Diametro <i>Diameter</i> <i>Diametre</i> | Lunghezza <i>Length</i> <i>Longueur</i> | Cuscinetto <i>Bearings</i> <i>Roulements</i> | | |
| | A | B * | n° * | C * | D * | E * | S | Kg |
| RFPG14509501 | 145 | 95 | 3 | 25 | 50 | 42 – 20 | 2 | 650 |
| RFPG16009011 | 160 | 90 | 3 | 25 | 100 | 47 – 20 | 2 | 650 |
| RFPG16012011 | 160 | 120 | 3 | 25 | 100 | 47 – 20 | 2 | 700 |
| RFPG19012001 | 190 | 120 | 3 | 25 | 50 | 47 – 20 | 2 | 650 |
| RFPG19012011 | 190 | 120 | 3 | 25 | 100 | 47 – 20 | 2 | 650 |
| RFPG19015011 | 190 | 150 | 3 | 25 | 100 | 47 – 20 | 2 | 650 |
| RFPG22509011 | 225 | 90 | 3 | 25 | 100 | 47 – 20 | 2 | 650 |
| RFPG22512001 | 225 | 120 | 3 | 25 | 50 | 47 – 20 | 2 | 650 |
| RFPG22512011 | 225 | 120 | 3 | 25 | 100 | 47 – 20 | 2 | 650 |
| RFPG22512002 | 225 | 120 | 3 | 30 | 50 | 52 – 25 | 2 | 650 |
| RFPG22512012 | 225 | 120 | 3 | 30 | 100 | 52 – 25 | 2 | 650 |
| RFPG23015011 | 230 | 150 | 3 | 25 | 100 | 47 – 20 | 2 | 700 |
| RFPG23015012 | 230 | 150 | 3 | 30 | 100 | 52 – 25 | 2 | 750 |
| RFPG25015002 | 250 | 150 | 3 | 30 | 50 | 52 – 25 | 2.3 | 800 |
| RFPG25015012 | 250 | 150 | 3 | 30 | 100 | 52 – 25 | 2.3 | 800 |
| RFPG25015003 | 250 | 150 | 3 | 35 | 50 | 62 – 30 | 2.3 | 900 |
| RFPG25015013 | 250 | 150 | 3 | 35 | 100 | 62 – 30 | 2.3 | 900 |
| RFPG28012012 | 280 | 120 | 3 | 30 | 100 | 52 – 25 | 2.3 | 900 |

* **Dimensioni variabili su richiesta – Perno realizzabile a disegno**
 * *Variable size on request – Axe achievable to design*
 * *Taille variable sur demande - Pin faisable de conception*

Continua →

Ruote in ferro larghe con cuscinetti e perno
Large flat iron wheels with bearings and pin
Grand roues en tôle plates avec roulements et axe


| Articolo <i>Item</i> <i>Article</i> | Ruota – Wheel – Roue | | | Perno – Pin – Axe | | | Spessore <i>Thickness</i> <i>Epesseur</i> | Portata <i>Capacity</i> <i>Charge</i> |
|---|--|---|--|--|---|--|---|---|
| | Diametro <i>Diameter</i> <i>Diametre</i> | Larghezza <i>Width</i> <i>Largeur</i> | Settori <i>Sectors</i> <i>Secteurs</i> | Diametro <i>Diameter</i> <i>Diametre</i> | Lunghezza <i>Length</i> <i>Longueur</i> | Cuscinetto <i>Bearings</i> <i>Roulements</i> | | |
| | A | B * | n° * | C * | D * | E * | S | Kg |
| RFPG28012013 | 280 | 120 | 3 | 35 | 100 | 62 – 30 | 2.3 | 1.100 |
| RFPG28018012 | 280 | 180 | 3 | 30 | 100 | 52 – 25 | 2.5 | 1.100 |
| RFPG28018013 | 280 | 180 | 3 | 35 | 100 | 62 – 30 | 2.5 | 1.200 |
| RFPG30015012 | 300 | 150 | 3 | 30 | 100 | 52 – 25 | 2.3 | 900 |
| RFPG30015013 | 300 | 150 | 3 | 35 | 100 | 62 – 30 | 2.3 | 1.200 |
| RFPG32015012 | 320 | 150 | 3 | 30 | 100 | 52 – 25 | 2.5 | 1.100 |
| RFPG32015013 | 320 | 150 | 3 | 35 | 100 | 62 – 30 | 2.5 | 1.300 |
| RFPG36015012 | 360 | 150 | 3 | 30 | 100 | 52 – 25 | 2.5 | 1.200 |
| RFPG36015013 | 360 | 150 | 3 | 35 | 100 | 62 – 30 | 2.5 | 1.300 |
| RFPG40015012 | 400 | 150 | 3 | 30 | 100 | 52 – 25 | 2.5 | 1.200 |
| RFPG40015013 | 400 | 150 | 3 | 35 | 100 | 62 – 30 | 2.5 | 1.400 |
| RFPG40022513 | 400 | 225 | 3 | 35 | 100 | 62 – 30 | 2.5 | 1.600 |
| RFPG40022514 | 400 | 225 | 3 | 40 | 100 | 72 – 35 | 2.5 | 1.700 |
| RFPG50015012 | 500 | 150 | 3 | 30 | 100 | 52 – 25 | 2.5 | 1.600 |
| RFPG50015013 | 500 | 150 | 3 | 35 | 100 | 62 – 30 | 2.5 | 1.800 |
| RFPG50020014 | 500 | 200 | 4 | 40 | 100 | 72 – 35 | 2.5 | 2.300 |
| RFPG50022513 | 500 | 225 | 3 | 35 | 100 | 62 – 30 | 2.5 | 1.800 |
| RFPG50022514 | 500 | 225 | 3 | 40 | 100 | 72 – 35 | 2.5 | 2.000 |

* **Dimensioni variabili su richiesta – Perno realizzabile a disegno**

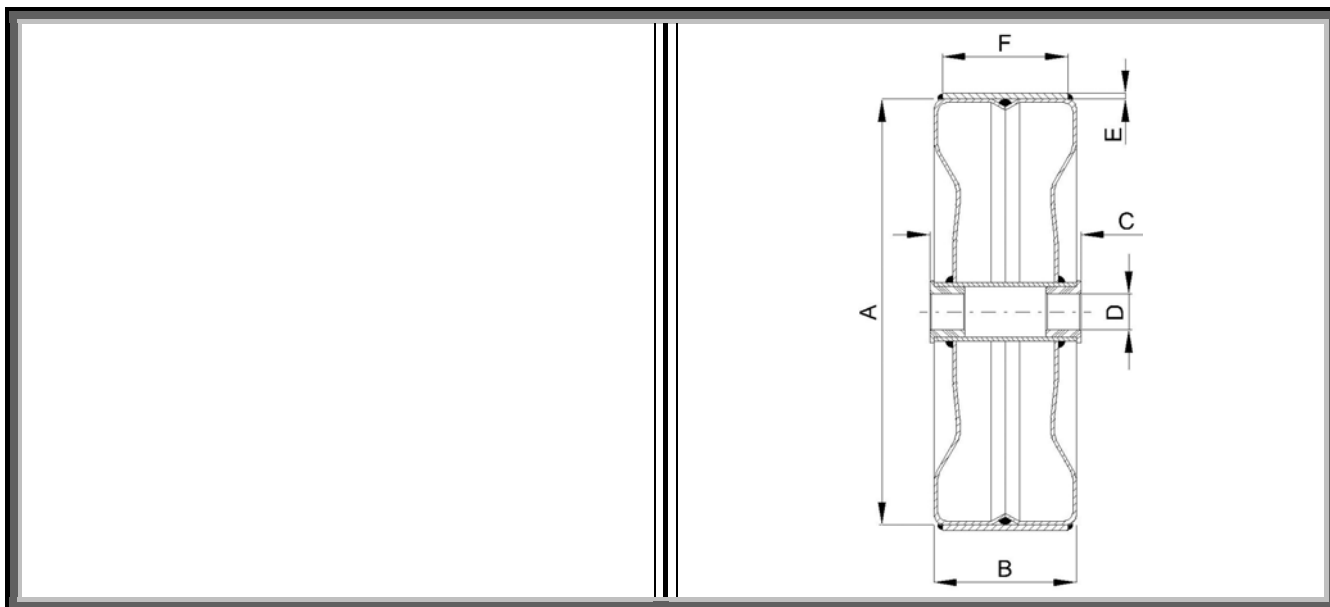
* *Variable size on request – Axe achievable to design*

* *Taille variable sur demande - Pin faisable de conception*

Ruote in ferro piane rinforzate con boccole in nylon

Reinforced flat iron wheels with nylon bushings

Renforcè roues en tole plates avec bagues en nylon



| Articolo | Diametro | Larghezza | Mozzo | Perno | Rinforzo | Spessore | Portata |
|--------------|----------|-----------|-------|-------|---------------|-----------|----------|
| Item | Diameter | Width | Hub | Pin | Reinforcement | Thickness | Capacity |
| Article | Diametre | Largeur | Moyeu | Axe | Renfort | Epaisseur | Charge |
| | A | B * | C * | D * | E * - F * | S | Kg |
| RFRE14506500 | 145 | 65 | 70 | 20 | 3 - 55 | 2 | 500 |
| RFRE16006000 | 160 | 60 | 70 | 20 | 3 - 50 | 2 | 500 |
| RFRE16008000 | 160 | 80 | 90 | 20 | 3 - 70 | 2 | 500 |
| RFRE19008000 | 190 | 80 | 90 | 20 | 3 - 70 | 2 | 500 |
| RFRE19008001 | 190 | 80 | 90 | 25 | 3 - 70 | 2 | 550 |
| RFRE19010000 | 190 | 100 | 110 | 20 | 3 - 90 | 2 | 600 |
| RFRE19010001 | 190 | 100 | 110 | 25 | 3 - 90 | 2 | 650 |
| RFRE22506000 | 225 | 60 | 70 | 20 | 3 - 50 | 2 | 500 |
| RFRE22508000 | 225 | 80 | 90 | 20 | 3 - 70 | 2 | 500 |
| RFRE22508001 | 225 | 80 | 90 | 25 | 3 - 70 | 2 | 500 |
| RFRE22508002 | 225 | 80 | 90 | 30 | 3 - 70 | 2 | 550 |
| RFRE23010000 | 230 | 100 | 110 | 20 | 3 - 90 | 2 | 500 |
| RFRE23010001 | 230 | 100 | 110 | 25 | 3 - 90 | 2 | 550 |

- * **Dimensioni variabili su richiesta**
- * *Variable size on request*
- * *Taille variable sur demande*

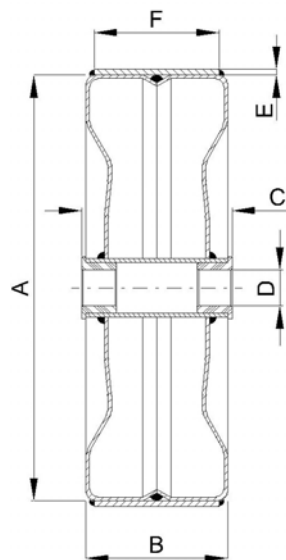
Continua
→



A richiesta, per tutti i modelli, con ingrassatore
Upon request, for all models, with grease nipples
Sur demande, pour tous les modèles, avec grasseur

Ruote in ferro piano rinforzate con boccole in nylon

Reinforced flat iron wheels with nylon bushings
Renforcè roues en tole plates avec bagues en nylon



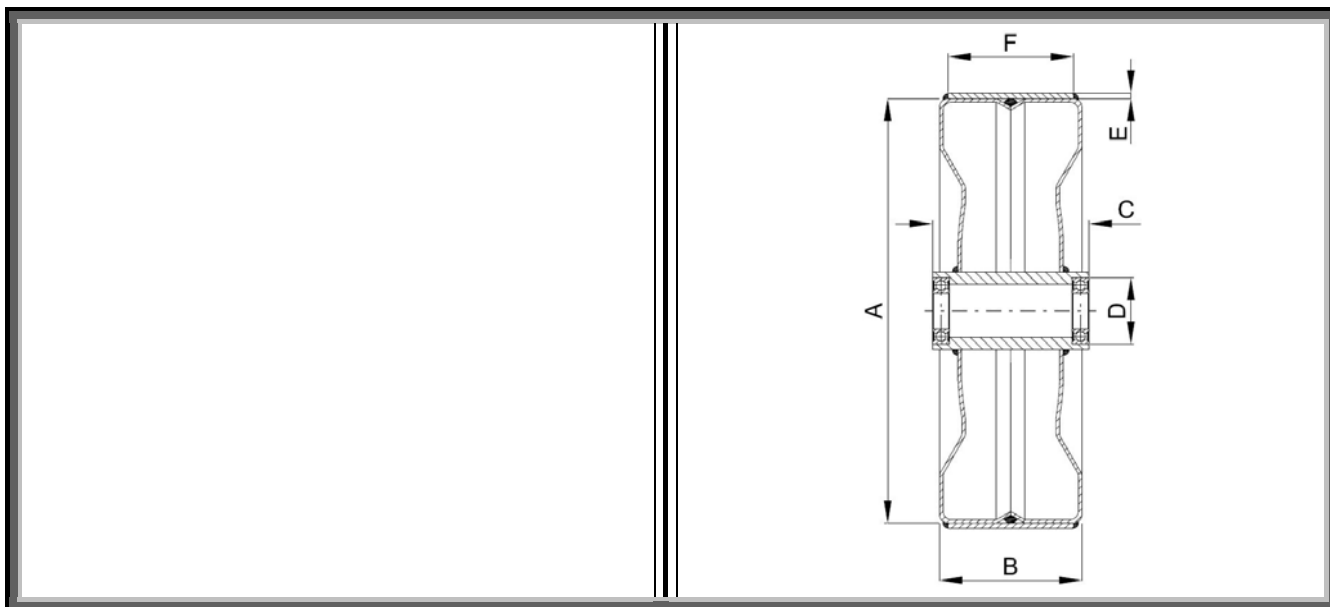
| Articolo | Diametro | Larghezza | Mozzo | Perno | Rinforzo | Spessore | Portata |
|--------------|----------|-----------|-------|-------|---------------|-----------|----------|
| Item | Diameter | Width | Hub | Pin | Reinforcement | Thickness | Capacity |
| Article | Diametre | Largeur | Moyeu | Axe | Renfort | Epaisseur | Charge |
| | A | B * | C * | D * | E * - F * | S | Kg |
| RFRE23010002 | 230 | 100 | 110 | 30 | 3 - 90 | 2 | 600 |
| RFRE25010000 | 250 | 100 | 110 | 20 | 3 - 90 | 2.3 | 650 |
| RFRE25010001 | 250 | 100 | 110 | 25 | 3 - 90 | 2.3 | 650 |
| RFRE25010002 | 250 | 100 | 110 | 30 | 3 - 90 | 2.3 | 650 |
| RFRE28008001 | 280 | 80 | 90 | 25 | 3 - 70 | 2.3 | 750 |
| RFRE28008002 | 280 | 80 | 90 | 30 | 3 - 70 | 2.3 | 750 |
| RFRE28012001 | 280 | 120 | 130 | 25 | 3 - 110 | 2.5 | 850 |
| RFRE28012002 | 280 | 120 | 130 | 30 | 3 - 110 | 2.5 | 850 |
| RFRE30010001 | 300 | 100 | 110 | 25 | 3 - 90 | 2.3 | 950 |
| RFRE30010002 | 300 | 100 | 110 | 30 | 3 - 90 | 2.3 | 950 |
| RFRE32010001 | 320 | 100 | 110 | 25 | 3 - 90 | 2.5 | 1.000 |
| RFRE32010002 | 320 | 100 | 110 | 30 | 3 - 90 | 2.5 | 1.000 |
| RFRE36010002 | 355 | 100 | 110 | 30 | 3 - 90 | 2.5 | 1.100 |

* **Dimensioni variabili su richiesta**
 * Variable size on request
 * Taille variable sur demande



A richiesta, per tutti i modelli, con ingrassatore
 Upon request, for all models, with grease nipples
 Sur demande, pour tous les modèles, avec grasseur

Ruote in ferro piano rinforzate con mozzo porta cuscinetti
Reinforced flat iron wheels with hub for bearings
Renforcè roues en tôle plates avec moyeu pour les roulements



| Articolo <i>Item</i> <i>Article</i> | Diametro <i>Diameter</i> <i>Diametre</i> | Larghezza <i>Width</i> <i>Largeur</i> | Mozzo <i>Hub</i> <i>Moyeu</i> | Cuscinetti <i>Bearings</i> <i>Roulements</i> | Rinforzo <i>Reinforcement</i> <i>Renfort</i> | Spessore <i>Thickness</i> <i>Epesseur</i> | Portata <i>Capacity</i> <i>Charge</i> |
|---|--|---|-------------------------------------|--|--|---|---|
| | A | B * | C * | D * | E * - F * | S | Kg |
| RFRA14506500 | 145 | 65 | 65 | 42 - 20 | 3 - 55 | 2 | 650 |
| RFRA16006001 | 160 | 60 | 60 | 47 - 20 | 3 - 50 | 2 | 700 |
| RFRA16008001 | 160 | 80 | 80 | 47 - 20 | 3 - 70 | 2 | 700 |
| RFRA19008001 | 190 | 80 | 80 | 47 - 20 | 3 - 70 | 2 | 750 |
| RFRA19008002 | 190 | 80 | 80 | 52 - 25 | 3 - 70 | 2 | 850 |
| RFRA19010001 | 190 | 100 | 100 | 47 - 20 | 3 - 90 | 2 | 750 |
| RFRA19010002 | 190 | 100 | 100 | 52 - 25 | 3 - 90 | 2 | 850 |
| RFRA22506001 | 225 | 60 | 60 | 47 - 20 | 3 - 50 | 2 | 800 |
| RFRA22508002 | 225 | 80 | 80 | 52 - 25 | 3 - 70 | 2 | 900 |
| RFRA23010001 | 230 | 100 | 100 | 47 - 20 | 3 - 90 | 2 | 850 |
| RFRA23010002 | 230 | 100 | 100 | 52 - 25 | 3 - 90 | 2 | 900 |
| RFRA25010002 | 250 | 100 | 100 | 52 - 25 | 3 - 90 | 2.3 | 900 |
| RFRA25010003 | 250 | 100 | 100 | 62 - 30 | 3 - 90 | 2.3 | 1.100 |
| RFRA28008002 | 280 | 80 | 80 | 52 - 25 | 3 - 70 | 2.3 | 850 |
| RFRA28008003 | 280 | 80 | 80 | 62 - 30 | 3 - 70 | 2.3 | 1.200 |
| RFRA28012002 | 280 | 120 | 120 | 52 - 25 | 3 - 110 | 2.5 | 1.200 |
| RFRA28012003 | 280 | 120 | 120 | 62 - 30 | 3 - 110 | 2.5 | 1.300 |
| RFRA30010002 | 300 | 100 | 100 | 52 - 25 | 3 - 90 | 2.3 | 900 |
| RFRA30010003 | 300 | 100 | 100 | 62 - 30 | 3 - 90 | 2.3 | 1.300 |

* **Dimensioni variabili su richiesta - Anche con cuscinetti a rulli conici**

* *Variable size on request - Even with tapered roller bearings*

* *Taille variable sur demande - Même avec roulements à rouleaux coniques*

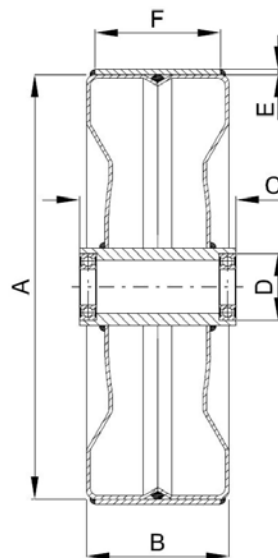
Continua

➔

Ruote in ferro piano rinforzate con mozzo porta cuscinetti

Reinforced flat iron wheels with hub for bearings

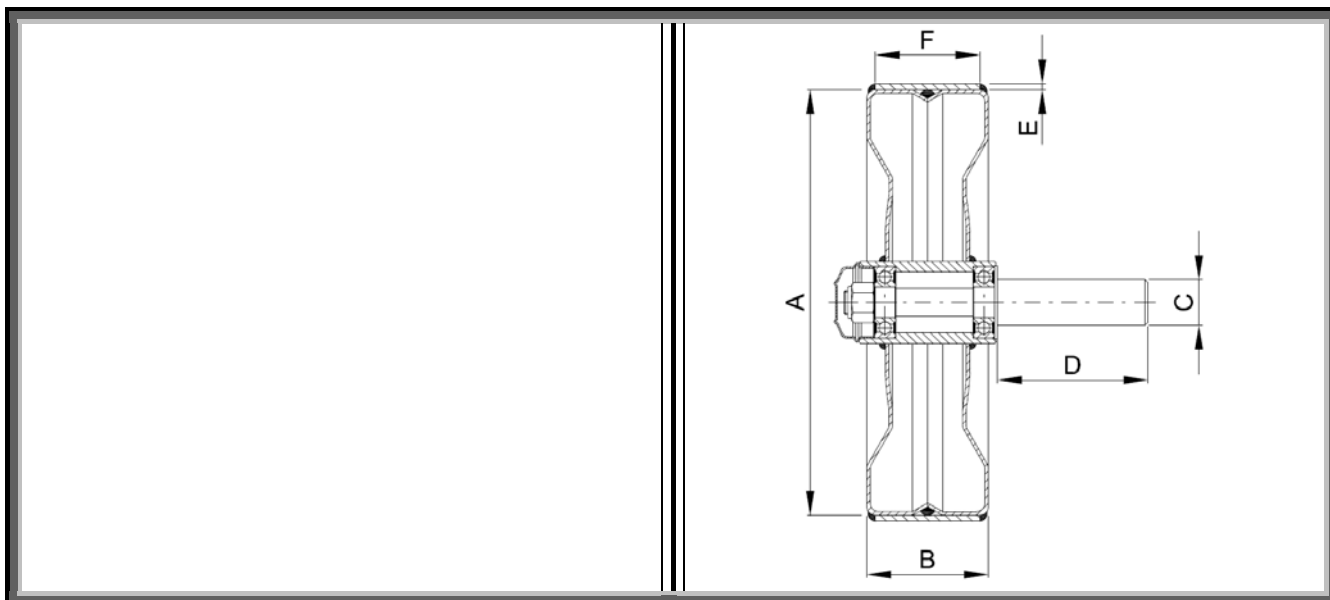
Renforcé roues en tôle plates avec moyeu pour les roulements



| Articolo | Diametro | Larghezza | Mozzo | Cuscinetti | Rinforzo | Spessore | Portata |
|--------------|----------|-----------|-------|------------|---------------|-----------|----------|
| Item | Diameter | Width | Hub | Bearings | Reinforcement | Thickness | Capacity |
| Article | Diametre | Largeur | Moyeu | Roulements | Renfort | Epaisseur | Charge |
| | A | B * | C * | D * | E * - F * | S | Kg |
| RFRA32010002 | 320 | 100 | 105 | 52 – 25 | 3 – 90 | 2.5 | 1.100 |
| RFRA32010003 | 320 | 100 | 105 | 62 – 30 | 3 – 90 | 2.5 | 1.400 |
| RFRA36010002 | 355 | 100 | 105 | 52 – 25 | 3 – 90 | 2.5 | 1.200 |
| RFRA36010003 | 355 | 100 | 105 | 62 – 30 | 3 – 90 | 2.5 | 1.400 |
| RFRA40010002 | 400 | 100 | 105 | 52 – 25 | 3 – 90 | 2.5 | 1.300 |
| RFRA40010003 | 400 | 100 | 105 | 62 – 30 | 3 – 90 | 2.5 | 1.500 |
| RFRA40015003 | 400 | 150 | 155 | 62 – 30 | 3 – 140 | 2.5 | 1.500 |
| RFRA40015004 | 400 | 150 | 155 | 72 – 35 | 3 – 140 | 2.5 | 1.700 |
| RFRA50010002 | 500 | 100 | 105 | 52 – 25 | 3 – 90 | 2.5 | 1.400 |
| RFRA50010003 | 500 | 100 | 105 | 62 – 30 | 3 – 90 | 2.5 | 1.600 |
| RFRA50015003 | 500 | 150 | 155 | 62 – 30 | 3 – 140 | 2.5 | 1.800 |
| RFRA50015004 | 500 | 150 | 155 | 72 – 35 | 3 – 140 | 2.5 | 2.000 |

* **Dimensioni variabili su richiesta – Perno realizzabile a disegno**
 * Variable size on request – Axe achievable to design
 * Taille variable sur demande - Pin faisable de conception

Ruote in ferro piane rinforzate con perno
Flat iron wheels reinforced with pin
Roues en tôle plates renforcè avec axe



| Articolo <i>Item</i> <i>Article</i> | Ruota – Wheel – Roue | | Perno – Pin – Axe | | Rinforzo <i>Reinforcement</i> <i>Renfort</i> | Spessore <i>Thickness</i> <i>Epeisseur</i> | Portata <i>Capacity</i> <i>Charge</i> |
|---|--|---|--|---|--|--|---|
| | Diametro <i>Diameter</i> <i>Diametre</i> | Larghezza <i>Width</i> <i>Largeur</i> | Diametro <i>Diameter</i> <i>Diametre</i> | Lunghezza <i>Length</i> <i>Longueur</i> | | | |
| | A | B * | C * | D * | | | |
| RFRC14506531 | 145 | 65 | 25 | 50 | 3 – 055 | 2 | 600 |
| RFRC16006032 | 160 | 60 | 25 | 100 | 3 – 050 | 2 | 700 |
| RFRC16008032 | 160 | 80 | 25 | 100 | 3 – 070 | 2 | 750 |
| RFRC19008032 | 190 | 80 | 25 | 100 | 3 – 070 | 2 | 800 |
| RFRC19008034 | 190 | 80 | 30 | 100 | 3 – 070 | 2 | 900 |
| RFRC19010034 | 190 | 100 | 30 | 100 | 3 – 090 | 2 | 1.000 |
| RFRC22506031 | 225 | 60 | 25 | 50 | 3 – 050 | 2 | 900 |
| RFRC22508031 | 225 | 80 | 25 | 50 | 3 – 070 | 2 | 1.100 |
| RFRC22508034 | 225 | 80 | 30 | 100 | 3 – 070 | 2 | 1.300 |
| RFRC23010032 | 230 | 100 | 25 | 100 | 3 – 090 | 2 | 1.200 |
| RFRC23010034 | 230 | 100 | 30 | 100 | 3 – 090 | 2 | 1.300 |
| RFRC25010033 | 250 | 100 | 30 | 50 | 3 – 090 | 2.3 | 1.200 |
| RFRC25010034 | 250 | 100 | 30 | 100 | 3 – 090 | 2.3 | 1.600 |
| RFRC25010035 | 250 | 100 | 35 | 50 | 3 – 090 | 2.5 | 1.300 |
| RFRC25010036 | 250 | 100 | 35 | 100 | 3 – 090 | 2.5 | 1.700 |
| RFRC28008034 | 280 | 80 | 30 | 100 | 3 – 070 | 2.5 | 1.400 |
| RFRC28008036 | 280 | 80 | 35 | 100 | 3 – 070 | 2.5 | 1.600 |
| RFRC28012034 | 280 | 120 | 30 | 100 | 3 – 110 | 2.5 | 1.500 |

* **Dimensioni variabili su richiesta – Anche con cuscinetti reggispinta**

* *Variable size on request – Even with tapered roller bearings*

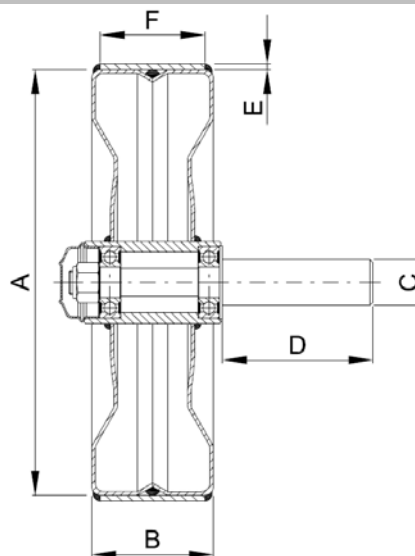
* *Taille variable sur demande – Même avec roulements à rouleaux coniques*

Continua

➔

Ruote in ferro piano rinforzate con perno

Flat iron wheels reinforced with pin
Roues en tôle plates renforcé avec axe



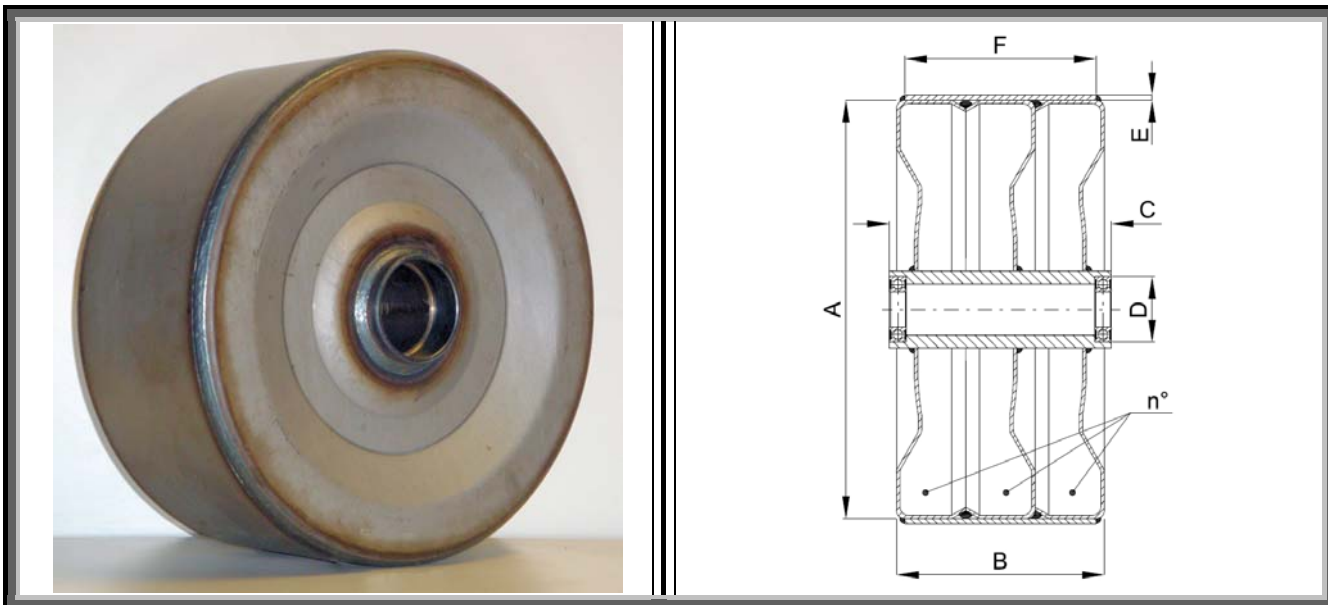
| Articolo | Ruota – Wheel – Roue | | Perno – Pin – Axe | | Rinforzo | Spessore | Portata |
|--------------|----------------------|-----------|-------------------|-----------|---------------|-----------|----------|
| | Diametro | Larghezza | Diametro | Lunghezza | | | |
| Item | Diameter | Width | Diameter | Length | Reinforcement | Thickness | Capacity |
| Article | Diametre | Largeur | Diametre | Longueur | Renfort | Epaisseur | Charge |
| | A | B * | C * | D * | E * - F * | S | Kg |
| RFRC28012036 | 280 | 120 | 35 | 100 | 3 – 110 | 2.5 | 1.600 |
| RFRC30010034 | 300 | 100 | 30 | 100 | 3 – 090 | 2.5 | 1.500 |
| RFRC30010036 | 300 | 100 | 35 | 100 | 3 – 090 | 2.5 | 1.800 |
| RFRC32010034 | 320 | 100 | 30 | 100 | 3 – 090 | 2.5 | 1.500 |
| RFRC32010036 | 320 | 100 | 35 | 100 | 3 – 090 | 2.5 | 2.000 |
| RFRC36010034 | 355 | 100 | 30 | 100 | 3 – 090 | 2.5 | 1.600 |
| RFRC36010036 | 355 | 100 | 35 | 100 | 3 – 090 | 2.5 | 1.800 |
| RFRC40010034 | 400 | 100 | 30 | 100 | 3 – 090 | 2.5 | 1.500 |
| RFRC40010056 | 400 | 100 | 35 | 100 | 5 – 090 | 2.5 | 1.800 |
| RFRC40015056 | 400 | 150 | 35 | 100 | 5 – 140 | 2.5 | 1.800 |
| RFRC40015058 | 400 | 150 | 40 | 100 | 5 – 140 | 2.5 | 2.000 |
| RFRC50010034 | 500 | 100 | 30 | 100 | 3 – 085 | 2.5 | 1.800 |
| RFRC50010056 | 500 | 100 | 35 | 100 | 5 – 090 | 2.5 | 2.000 |
| RFRC50015056 | 500 | 150 | 35 | 100 | 5 – 140 | 2.5 | 2.000 |
| RFRC50015058 | 500 | 150 | 40 | 100 | 5 – 140 | 2.5 | 2.200 |

* **Dimensioni variabili su richiesta – Perno realizzabile a disegno**
 * Variable size on request – Axe achievable to design
 * Taille variable sur demande - Pin faisable de conception

Ruote in ferro piano larghe rinforzate con mozzo porta cuscinetti

Large flat iron wheels reinforced with hub for bearings

Grand roues en tôle plates renforcées avec moyeu pour les roulements



| Articolo | Diametro | Larghezza | Settori | Mozzo | Cuscinetti | Rinforzo | Spessore | Portata |
|--------------|----------|-----------|----------|-------|------------|---------------|-----------|----------|
| Item | Diameter | Width | Sectors | Hub | Bearings | Reinforcement | Thickness | Capacity |
| Article | Diametre | Largeur | Secteurs | Moyeu | Roulements | Renfort | Epaisseur | Charge |
| | A | B * | n° * | C * | D * | E * - F * | S | Kg |
| RFRB14509500 | 145 | 95 | 3 | 95 | 42 - 20 | 3 - 085 | 2 | 700 |
| RFRB16009001 | 160 | 90 | 3 | 90 | 47 - 20 | 3 - 080 | 2 | 750 |
| RFRB16012001 | 160 | 120 | 3 | 120 | 47 - 20 | 3 - 110 | 2 | 750 |
| RFRB19012001 | 190 | 120 | 3 | 120 | 47 - 20 | 3 - 110 | 2 | 800 |
| RFRB19012002 | 190 | 120 | 3 | 120 | 52 - 25 | 3 - 110 | 2 | 900 |
| RFRB19015001 | 190 | 150 | 3 | 150 | 47 - 20 | 3 - 110 | 2 | 800 |
| RFRB19015002 | 190 | 150 | 3 | 150 | 52 - 25 | 3 - 110 | 2 | 900 |
| RFRB19020002 | 190 | 200 | 3 | 150 | 52 - 25 | 3 - 190 | 2 | 1.000 |
| RFRB22509001 | 225 | 90 | 3 | 90 | 47 - 20 | 3 - 080 | 2 | 900 |
| RFRB22510002 | 225 | 100 | 3 | 100 | 52 - 25 | 3 - 090 | 2 | 1.000 |
| RFRB22512002 | 225 | 120 | 3 | 120 | 52 - 25 | 3 - 110 | 2 | 1.000 |
| RFRB23015001 | 230 | 150 | 3 | 150 | 47 - 20 | 3 - 140 | 2 | 1.000 |
| RFRB23015002 | 230 | 150 | 3 | 150 | 52 - 25 | 3 - 140 | 2 | 1.100 |
| RFRB25015002 | 250 | 150 | 3 | 150 | 52 - 25 | 3 - 140 | 2.3 | 1.100 |
| RFRB25015003 | 250 | 150 | 3 | 150 | 62 - 30 | 3 - 140 | 2.3 | 1.300 |
| RFRB28012002 | 280 | 120 | 3 | 120 | 52 - 25 | 3 - 110 | 2.3 | 1.200 |
| RFRB28012003 | 280 | 120 | 3 | 120 | 62 - 30 | 3 - 110 | 2.3 | 1.500 |
| RFRB28018002 | 280 | 180 | 3 | 180 | 52 - 25 | 3 - 170 | 2.5 | 1.300 |
| RFRB28018003 | 280 | 180 | 3 | 180 | 62 - 30 | 3 - 170 | 2.5 | 1.400 |

* **Dimensioni variabili su richiesta – Anche con cuscinetti reggispinta**

* *Variable size on request – Even with tapered roller bearings*

* *Taille variable sur demande – Même avec roulements à rouleaux coniques*

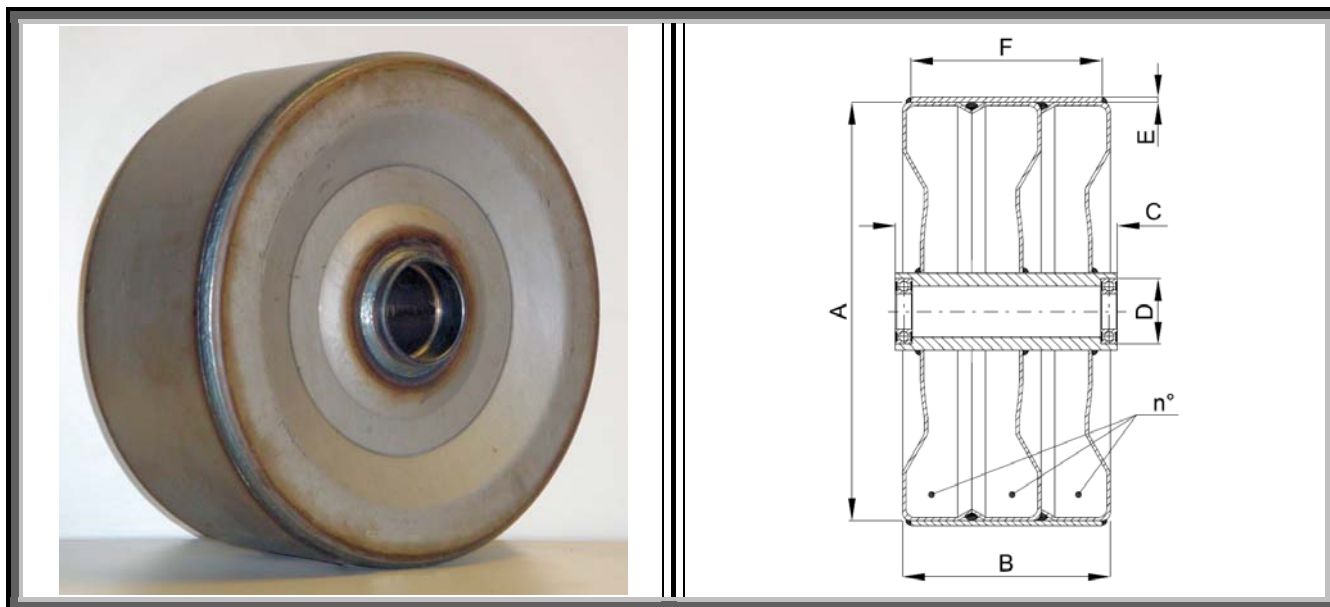
Continua

➔

Ruote in ferro piane larghe rinforzate con mozzo porta cuscinetti

Large flat iron wheels reinforced with hub for bearings

Grand roues en tôle plates renforcé avec moyeu pour les roulements

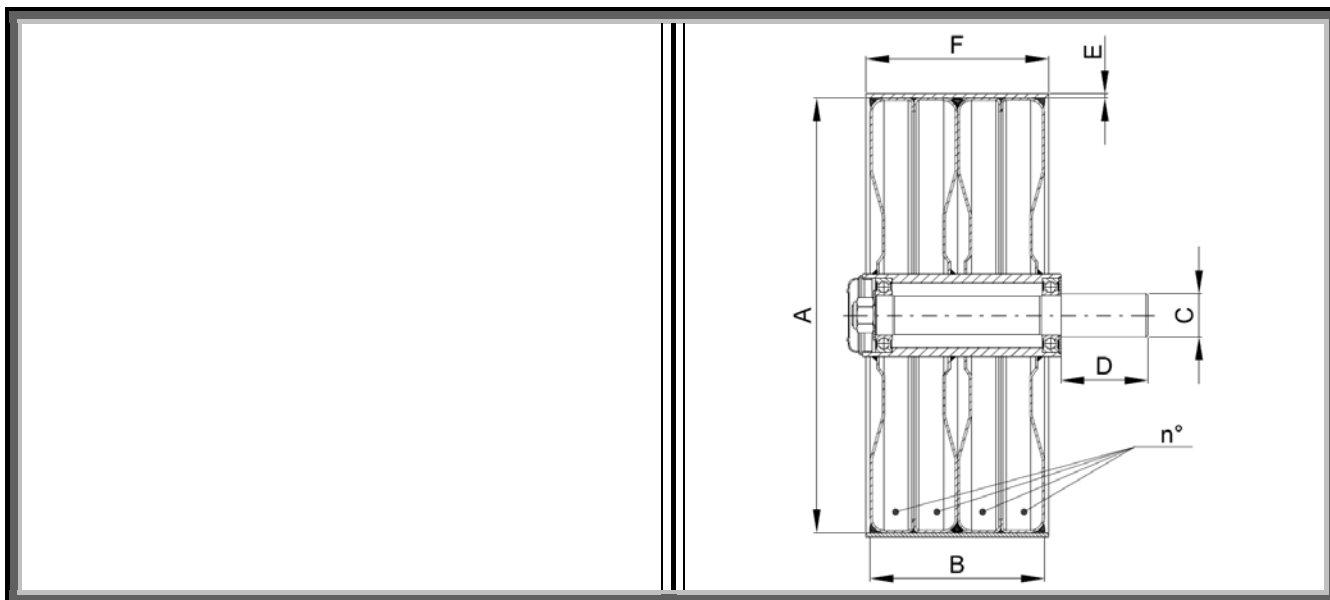


| Articolo | Diametro | Larghezza | Settori | Mozzo | Cuscinetti | Rinforzo | Spessore | Portata |
|--------------|----------|-----------|----------|-------|------------|---------------|-----------|----------|
| Item | Diameter | Width | Sectors | Hub | Bearings | Reinforcement | Thickness | Capacity |
| Article | Diametre | Largeur | Secteurs | Moyeu | Roulements | Renfort | Epesseur | Charge |
| | A | B * | n° * | C * | D * | E * - F * | S | Kg |
| RFRB30015002 | 300 | 150 | 3 | 150 | 52 - 25 | 3 - 140 | 2.3 | 1.200 |
| RFRB30015003 | 300 | 150 | 3 | 150 | 62 - 30 | 3 - 140 | 2.3 | 1.600 |
| RFRB32015002 | 320 | 150 | 3 | 150 | 52 - 25 | 3 - 140 | 2.5 | 1.300 |
| RFRB32015003 | 320 | 150 | 3 | 150 | 62 - 30 | 3 - 140 | 2.5 | 1.700 |
| RFRB36015002 | 355 | 150 | 3 | 150 | 52 - 25 | 3 - 140 | 2.5 | 1.400 |
| RFRB36015003 | 355 | 150 | 3 | 150 | 62 - 30 | 3 - 140 | 2.5 | 1.600 |
| RFRB40015002 | 400 | 150 | 3 | 150 | 52 - 25 | 3 - 140 | 2.5 | 1.500 |
| RFRB40015003 | 400 | 150 | 3 | 150 | 62 - 30 | 3 - 140 | 2.5 | 1.800 |
| RFRB40020003 | 400 | 200 | 4 | 200 | 62 - 30 | 3 - 190 | 2.5 | 1.900 |
| RFRB40022502 | 400 | 225 | 3 | 225 | 52 - 25 | 3 - 215 | 2.5 | 1.500 |
| RFRB40022503 | 400 | 225 | 3 | 225 | 62 - 30 | 3 - 215 | 2.5 | 1.900 |
| RFRB50015003 | 500 | 150 | 3 | 150 | 62 - 30 | 3 - 140 | 2.5 | 1.800 |
| RFRB50015004 | 500 | 150 | 3 | 150 | 72 - 35 | 3 - 140 | 2.5 | 2.000 |
| RFRB50020004 | 500 | 200 | 4 | 200 | 72 - 35 | 3 - 190 | 2.5 | 2.200 |
| RFRB50022503 | 500 | 225 | 3 | 225 | 62 - 30 | 3 - 215 | 2.5 | 2.000 |
| RFRB50022504 | 500 | 225 | 3 | 225 | 72 - 35 | 3 - 215 | 2.5 | 2.200 |

- * **Dimensioni variabili su richiesta – Anche con cuscinetti reggispinta**
- * *Variable size on request – Even with tapered roller bearings*
- * *Taille variable sur demande – Même avec roulements à rouleaux coniques*

Ruote in ferro piane larghe rinforzate con perno

Large flat iron wheels reinforced with pin
Grand roues en tôle plates renforcé avec axe



| Articolo | Ruota – Wheel – Roue | | | Perno – Pin – Axe | | Rinforzo | Spessore | Portata |
|----------------|----------------------|----------------|-----------------|-------------------|-----------------|----------------------|------------------|-----------------|
| | Diametro | Larghezza | Settori | Diametro | Lunghezza | | | |
| <i>Item</i> | <i>Diameter</i> | <i>Width</i> | <i>Sectors</i> | <i>Diameter</i> | <i>Length</i> | <i>Reinforcement</i> | <i>Thickness</i> | <i>Capacity</i> |
| <i>Article</i> | <i>Diametre</i> | <i>Largeur</i> | <i>Secteurs</i> | <i>Diametre</i> | <i>Longueur</i> | <i>Renfort</i> | <i>Epesseur</i> | <i>Charge</i> |
| | A | B * | n° * | C * | D * | E * - F * | S | Kg |
| RFRD14509631 | 145 | 96 | 3 | 25 | 50 | 3 – 085 | 2 | 700 |
| RFRD16009032 | 160 | 90 | 3 | 25 | 100 | 3 – 080 | 2 | 750 |
| RFRD16012032 | 160 | 120 | 3 | 25 | 100 | 3 – 110 | 2 | 750 |
| RFRD19012031 | 190 | 120 | 3 | 25 | 50 | 3 – 110 | 2 | 800 |
| RFRD19012032 | 190 | 120 | 3 | 25 | 100 | 3 – 110 | 2 | 800 |
| RFRD19015034 | 190 | 150 | 3 | 30 | 100 | 3 – 110 | 2 | 900 |
| RFRD22509032 | 225 | 90 | 3 | 25 | 50 | 3 – 080 | 2 | 900 |
| RFRD22512033 | 225 | 120 | 3 | 30 | 50 | 3 – 110 | 2 | 1.050 |
| RFRD22512034 | 225 | 120 | 3 | 30 | 100 | 3 – 110 | 2 | 1.300 |
| RFRD23015034 | 230 | 150 | 3 | 30 | 100 | 3 – 140 | 2 | 1.200 |
| RFRD23015036 | 230 | 150 | 3 | 35 | 100 | 3 – 140 | 2 | 1.300 |
| RFRD25015033 | 250 | 150 | 3 | 30 | 50 | 3 - 140 | 2.3 | 1.200 |
| RFRD25015034 | 250 | 150 | 3 | 30 | 100 | 3 – 140 | 2.3 | 1.600 |
| RFRD25015035 | 250 | 150 | 3 | 35 | 50 | 3 – 140 | 2.5 | 1.300 |
| RFRD25015036 | 250 | 150 | 3 | 35 | 100 | 3 – 140 | 2.5 | 1.700 |
| RFRD28012034 | 280 | 120 | 3 | 30 | 100 | 3 – 110 | 2.5 | 1.400 |
| RFRD28012036 | 280 | 120 | 3 | 35 | 100 | 3 – 110 | 2.5 | 1.600 |
| RFRD28018034 | 280 | 180 | 3 | 30 | 100 | 3 – 170 | 2.5 | 1.500 |

* **Dimensioni variabili su richiesta – Anche con cuscinetti reggispinta**
 * *Variable size on request – Even with tapered roller bearings*
 * *Taille variable sur demande – Même avec roulements à rouleaux coniques*

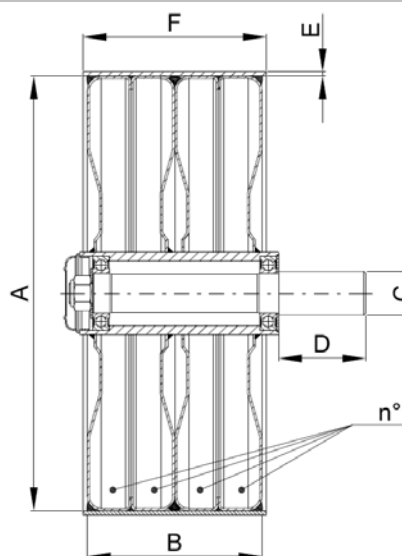
Continua



Ruote in ferro piano larghe rinforzate con perno

Large flat iron wheels reinforced with pin

Grand roues en tôle plates renforcées avec axe



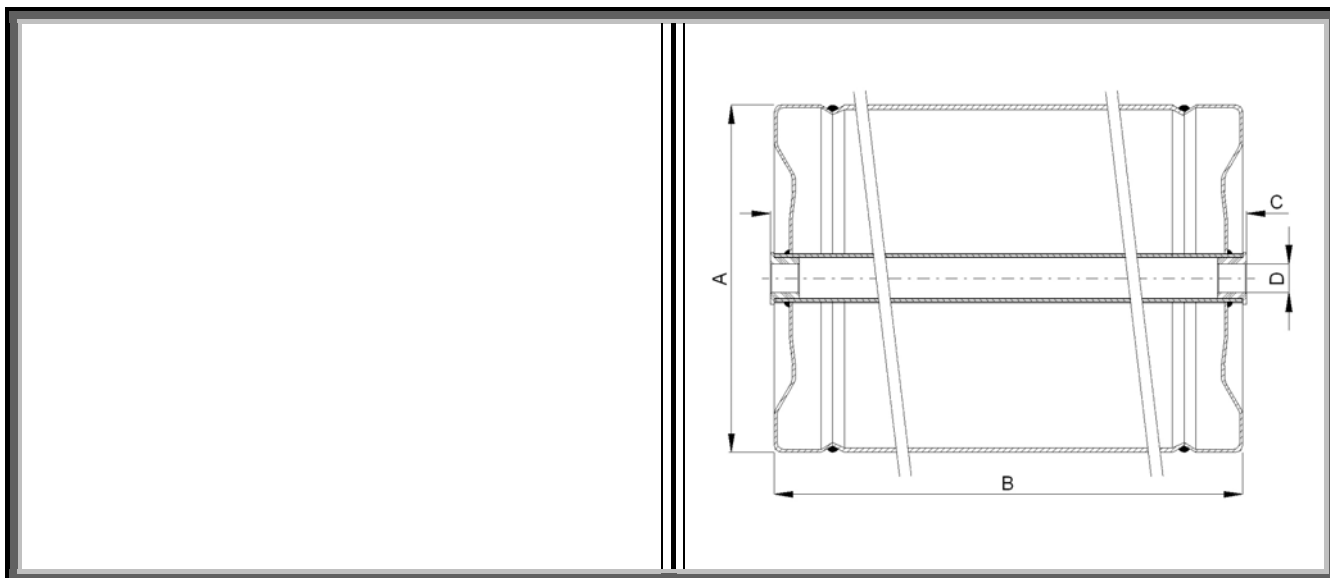
| Articolo | Ruota – Wheel – Roue | | | Perno – Pin – Axe | | Rinforzo | Spessore | Portata |
|--------------|----------------------|-----------|----------|-------------------|-----------|---------------|-----------|----------|
| | Diametro | Larghezza | Settori | Diametro | Lunghezza | | | |
| Item | Diameter | Width | Sectors | Diameter | Length | Reinforcement | Thickness | Capacity |
| Article | Diametre | Largeur | Secteurs | Diametre | Longueur | Renfort | Epaisseur | Charge |
| | A | B * | n° * | C * | D * | E * - F * | S | Kg |
| RFRD28018036 | 280 | 180 | 3 | 35 | 100 | 3 – 170 | 2.5 | 1.600 |
| RFRD30015034 | 300 | 150 | 3 | 30 | 100 | 3 – 140 | 2.5 | 1.500 |
| RFRD30015036 | 300 | 150 | 3 | 35 | 100 | 3 – 140 | 2.5 | 1.800 |
| RFRD32015034 | 320 | 150 | 3 | 30 | 100 | 3 – 140 | 2.5 | 1.500 |
| RFRD32015036 | 320 | 150 | 3 | 35 | 100 | 3 – 140 | 2.5 | 2.000 |
| RFRD36015034 | 360 | 150 | 3 | 30 | 100 | 3 – 140 | 2.5 | 1.600 |
| RFRD36015036 | 360 | 150 | 3 | 35 | 100 | 3 – 140 | 2.5 | 1.800 |
| RFRD40015034 | 400 | 150 | 3 | 30 | 100 | 3 – 140 | 2.5 | 1.500 |
| RFRD40015056 | 400 | 150 | 3 | 35 | 100 | 5 – 140 | 2.5 | 1.800 |
| RFRD40022556 | 400 | 225 | 3 | 35 | 100 | 5 – 215 | 2.5 | 1.800 |
| RFRD40022558 | 400 | 225 | 3 | 40 | 100 | 5 – 215 | 2.5 | 2.000 |
| RFRD50015034 | 500 | 150 | 3 | 30 | 100 | 3 – 215 | 2.5 | 1.800 |
| RFRD50015036 | 500 | 150 | 3 | 35 | 100 | 3 – 140 | 2.5 | 2.000 |
| RFRD50020036 | 500 | 200 | 4 | 35 | 100 | 3 – 190 | 2.5 | 2.200 |
| RFRD50020058 | 500 | 200 | 4 | 40 | 100 | 5 – 210 | 2.5 | 2.200 |
| RFRD50022556 | 500 | 225 | 3 | 35 | 100 | 5 – 215 | 2.5 | 2.000 |
| RFRD50022558 | 500 | 225 | 3 | 40 | 100 | 5 – 215 | 2.5 | 2.200 |

* **Dimensioni variabili su richiesta – Perno realizzabile a disegno**
 * *Variable size on request – Axe achievable to design*
 * *Taille variable sur demande - Pin faisable de conception*

Rulli in ferro piani con boccole in nylon

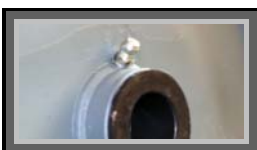
Roller iron wheels with nylon bushings

Rouleau en tôle plates avec bagues nylon



| Articolo | Diametro | Larghezza | Mozzo | Perno | Spessore | Portata |
|----------------|-----------------|----------------|--------------|------------|------------------|-----------------|
| <i>Item</i> | <i>Diameter</i> | <i>Width</i> | <i>Hub</i> | <i>Pin</i> | <i>Thickness</i> | <i>Capacity</i> |
| <i>Article</i> | <i>Diametre</i> | <i>Largeur</i> | <i>Moyeu</i> | <i>Axe</i> | <i>Epaisseur</i> | <i>Charge</i> |
| | A | B * | C * | E * | S | Kg |
| RFPI25000000 | 250 | 200 a 500 | B + 10 | 20 | 3 | 600 |
| RFPI25000001 | 250 | 200 a 500 | B + 10 | 25 | 3 | 650 |
| RFPI25000002 | 250 | 200 a 500 | B + 10 | 30 | 3 | 700 |
| RFPI28000002 | 280 | 200 a 500 | B + 10 | 30 | 3 | 750 |
| RFPI30000001 | 300 | 200 a 500 | B + 10 | 20 | 3 | 800 |
| RFPI30000001 | 300 | 200 a 500 | B + 10 | 25 | 3 | 850 |
| RFPI30000002 | 300 | 200 a 500 | B + 10 | 30 | 3 | 900 |
| RFPI32000002 | 320 | 200 a 500 | B + 10 | 30 | 3 | 1.000 |
| RFPI36000002 | 360 | 200 a 500 | B + 10 | 30 | 3 | 1.000 |
| RFPI40000002 | 400 | 200 a 500 | B + 10 | 30 | 3 | 1.000 |
| RFPI50000002 | 500 | 200 a 500 | B + 10 | 30 | 3 | 1.200 |

* **Dimensioni variabili su richiesta**
 * *Variable size on request*
 * *Taille variable sur demande*

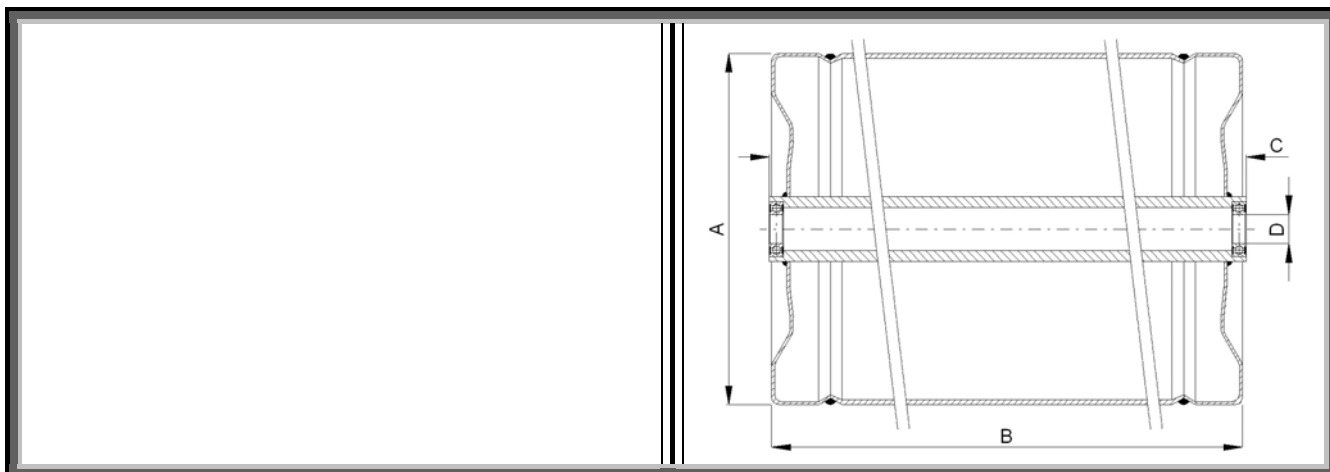


A richiesta, per tutti i modelli, con ingrassatore

Upon request, for all models, with grease nipples

Sur demande, pour tous les modèles, avec grasseur

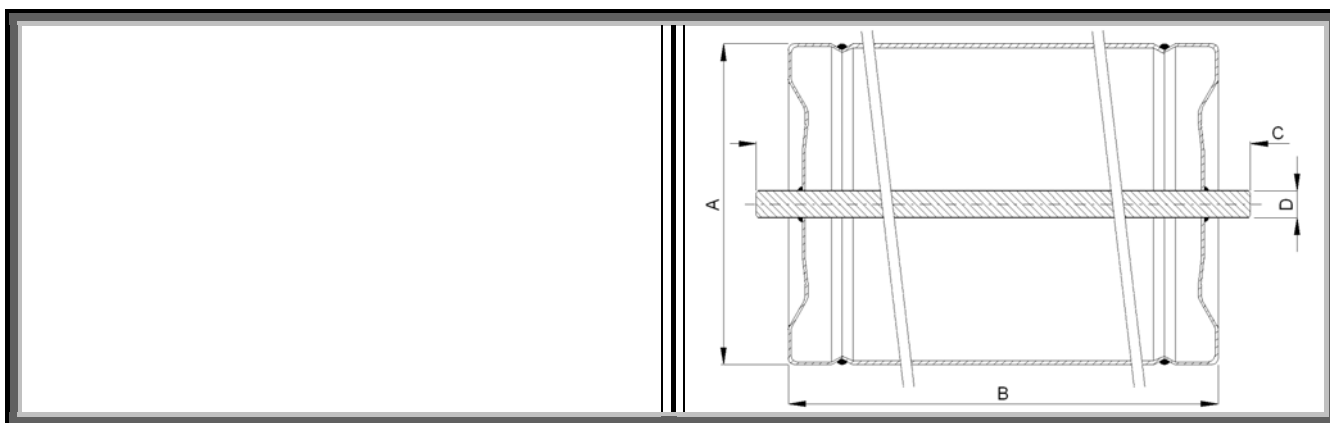
Rulli in ferro piani con mozzo porta cuscinetti
Roller iron wheels with hub for bearings
Rouleau en tôle plates avec moyeu pour les roulements



| Articolo | Diametro | Larghezza | Mozzo | Cuscinetti | Spessore | Portata |
|----------------|-----------------|----------------|--------------|-------------------|------------------|-----------------|
| <i>Item</i> | <i>Diameter</i> | <i>Width</i> | <i>Hub</i> | <i>Bearings</i> | <i>Thickness</i> | <i>Capacity</i> |
| <i>Article</i> | <i>Diametre</i> | <i>Largeur</i> | <i>Moyeu</i> | <i>Roulements</i> | <i>Epesseur</i> | <i>Charge</i> |
| | A | B * | C * | D * | S | Kg |
| RFPK25010002 | 250 | 200 a 500 | B + 5 | 52 – 25 | 3 | 800 |
| RFPK25010003 | 250 | 200 a 500 | B + 5 | 62 – 30 | 3 | 900 |
| RFPK28010002 | 280 | 200 a 500 | B + 5 | 52 – 25 | 3 | 900 |
| RFPK28010003 | 280 | 200 a 500 | B + 5 | 60 – 30 | 3 | 1.000 |
| RFPK30010002 | 300 | 200 a 500 | B + 5 | 52 – 25 | 3 | 1.000 |
| RFPK30010003 | 300 | 200 a 500 | B + 5 | 62 – 30 | 3 | 1.100 |
| RFPK32010003 | 320 | 200 a 500 | B + 5 | 62 – 30 | 3 | 1.350 |
| RFPK36010003 | 360 | 200 a 500 | B + 5 | 62 – 30 | 3 | 1.400 |
| RFPK40010003 | 400 | 200 a 500 | B + 5 | 62 – 30 | 3 | 1.400 |
| RFPK40010004 | 400 | 200 a 500 | B + 5 | 72 – 35 | 3 | 1.600 |
| RFPK50010003 | 500 | 200 a 500 | B + 5 | 62 – 30 | 3 | 1.500 |
| RFPK50010004 | 500 | 200 a 500 | B + 5 | 72 - 35 | 3 | 1.700 |

* **Dimensioni variabili su richiesta – Anche con cuscinetti reggispinta**
 * *Variable size on request – Even with tapered roller bearings*
 * *Taille variable sur demande – Même avec roulements à rouleaux coniques*

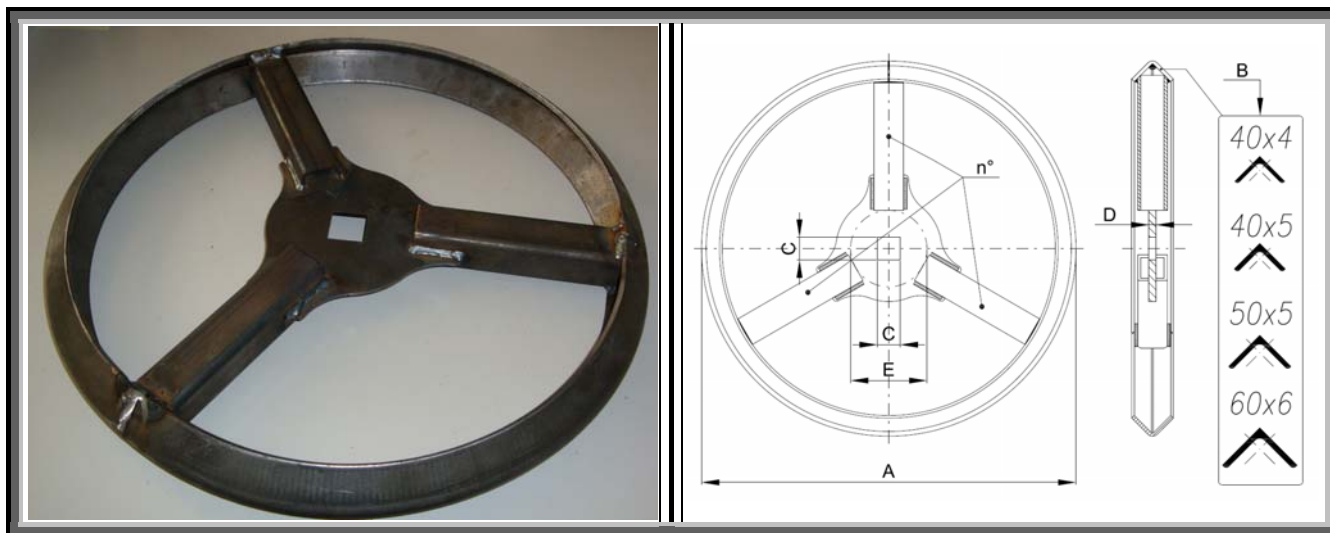
Rulli in ferro piani con perno
Roller iron wheels with pin
Rouleau en tôle plates avec axe



| Articolo <i>Item</i> <i>Article</i> | Diametro <i>Diameter</i> <i>Diametre</i> | Larghezza <i>Width</i> <i>Largeur</i> | Mozzo <i>Hub</i> <i>Moyeu</i> | Perno <i>Pin</i> <i>Axe</i> | Spessore <i>Thickness</i> <i>Epesseur</i> | Portata <i>Capacity</i> <i>Charge</i> |
|---|--|---|-------------------------------------|-----------------------------------|---|---|
| | A | B * | C * | D * | S | Kg |
| RFPL25020002 | 250 | 200 a 500 | B + min 20 < | 25 | 3 | 800 |
| RFPL25020003 | 250 | 200 a 500 | B + min 20 < | 30 | 3 | 900 |
| RFPL28020002 | 280 | 200 a 500 | B + min 20 < | 25 | 3 | 950 |
| RFPL28020003 | 280 | 200 a 500 | B + min 20 < | 30 | 3 | 1.000 |
| RFPL30020002 | 300 | 200 a 500 | B + min 20 < | 25 | 3 | 1.000 |
| RFPL30020003 | 300 | 200 a 500 | B + min 20 < | 30 | 3 | 1.100 |
| RFPL32020003 | 320 | 200 a 500 | B + min 20 < | 30 | 3 | 1.350 |
| RFPL36020003 | 360 | 200 a 500 | B + min 20 < | 30 | 3 | 1.400 |
| RFPL40020003 | 400 | 200 a 500 | B + min 20 < | 30 | 3 | 1.500 |
| RFPL40020004 | 400 | 200 a 500 | B + min 20 < | 35 | 3 | 1.600 |
| RFPL50020003 | 500 | 200 a 500 | B + min 20 < | 30 | 3 | 1.400 |
| RFPL50020004 | 500 | 200 a 500 | B + min 20 < | 35 | 3 | 1.600 |

* **Dimensioni variabili su richiesta**
 * *Variable size on request*
 * *Taille variable sur demande*

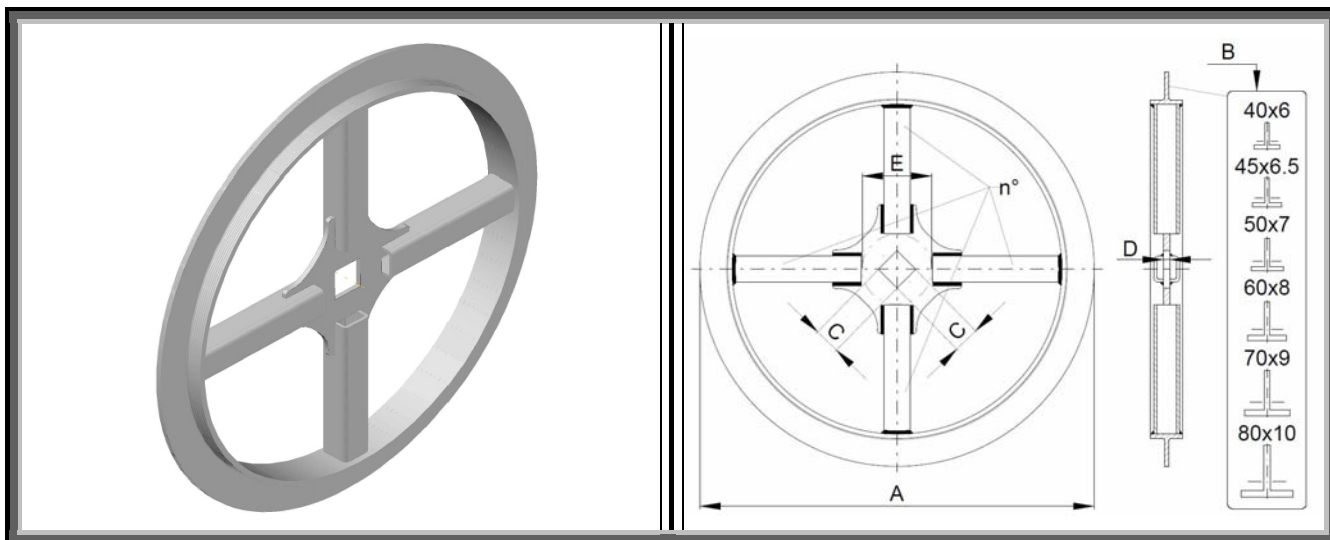
Ruote in ferro Frangizolle – Mod. V
Roller iron wheels break clods – Mod. V
Rouleau en tôle plates briser les mottes – Mod. V



| Articolo | Diametro | Profilo | Foro Quadro | Spessore | Zona Piana | N° Razze |
|----------------|-----------------|----------------|--------------------|------------------|--------------------|------------------|
| <i>Item</i> | <i>Diameter</i> | <i>Profile</i> | <i>Square hole</i> | <i>Thickness</i> | <i>Planar area</i> | <i>N° Spokes</i> |
| <i>Article</i> | <i>Diametre</i> | <i>Profil</i> | <i>Trou carré</i> | <i>Epaisseur</i> | <i>Zone Plane</i> | <i>N° rayons</i> |
| | A * | B * | C * | D * | E * | n° * |
| RZRV51000000 | 510 | 40x4 – 40/50x5 | 31 – 41 – 51 | 4 ÷ 6 | 100 ÷ 200 | 3 ÷ 4 |
| RZRV61000000 | 610 | 40/50x5 – 60x6 | 41 – 51 – 61 | 5 ÷ 10 | 100 ÷ 200 | 4 ÷ 5 |
| RZRV71000000 | 710 | 40/50x5 – 60x6 | 41 – 51 – 61 | 5 ÷ 12 | 100 ÷ 200 | 4 ÷ 6 |
| RZRV81000000 | 810 | 40/50x5 – 60x6 | 41 – 51 – 61 | 5 ÷ 10 | 100 ÷ 200 | 4 ÷ 8 |
| RZRV91000000 | 910 | 40/50x5 – 60x6 | 41 – 51 – 61 | 5 ÷ 12 | 100 ÷ 200 | 4 ÷ 8 |

* **Dimensioni variabili su richiesta**
 * *Variable size on request*
 * *Taille variable sur demande*

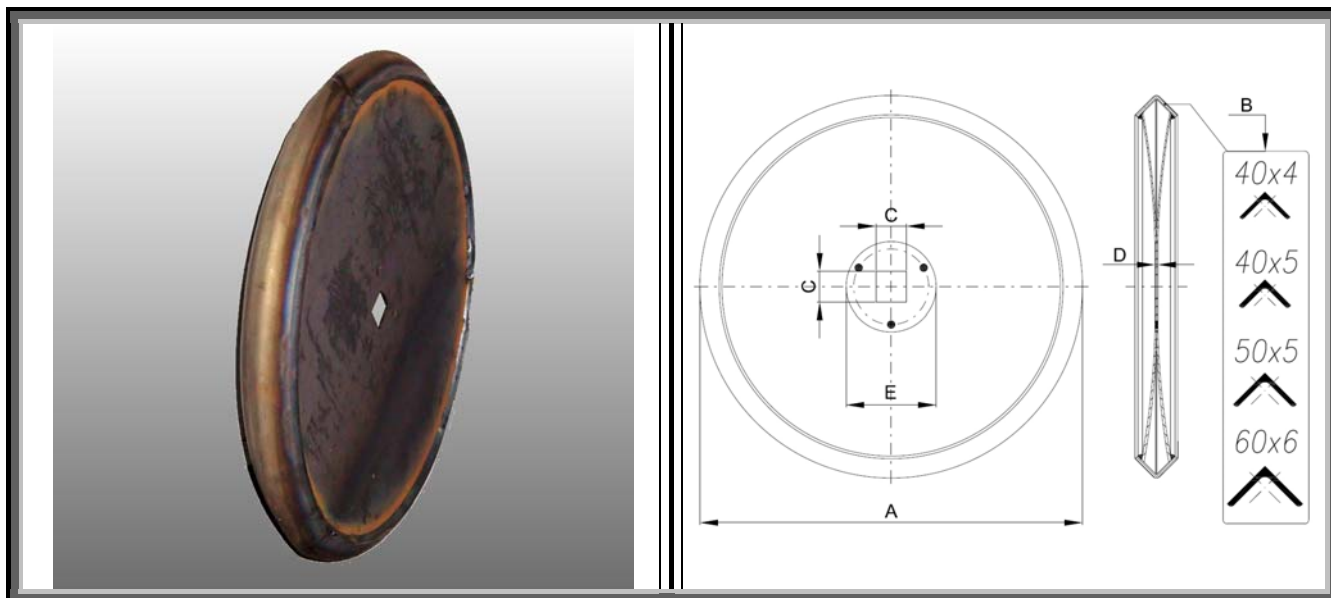
Ruote in ferro Frangizolle – Mod. T
Roller iron wheels break clods – Mod. T
Rouleau en tôle plates briser les mottes – Mod. T



| Articolo <i>Item</i> <i>Article</i> | Diametro <i>Diameter</i> <i>Diametre</i> | Profilo <i>Profile</i> <i>Profil</i> | Foro Quadro <i>Square hole</i> <i>Trou carré</i> | Spessore <i>Thickness</i> <i>Epaisseur</i> | Zona Piana <i>Planar area</i> <i>Zone Plane</i> | N° Razze <i>N° Spokes</i> <i>N° rayons</i> |
|---|--|--|--|--|---|--|
| | A * | B * | C * | D * | E * | n° * |
| RZRT51000000 | 510 | 40x6-45x6.5-50x7-60x8 | 31 – 41 – 51 | 4 ÷ 8 | 100 ÷ 200 | 3 ÷ 4 |
| RZRT61000000 | 610 | 40x6-45x6.5-50x7-60x8 | 41 – 51 – 61 | 5 ÷ 10 | 100 ÷ 200 | 4 ÷ 5 |
| RZRT71000000 | 710 | 45x6.5-50x7-60x8-70x9 | 41 – 51 – 61 | 5 ÷ 12 | 100 ÷ 200 | 4 ÷ 6 |
| RZRT81000000 | 810 | 50x7-60x8-70x9-80x10 | 41 – 51 – 61 | 5 ÷ 10 | 100 ÷ 200 | 4 ÷ 8 |
| RZRT91000000 | 910 | 50x7-60x8-70x9-80x10 | 41 – 51 – 61 | 5 ÷ 12 | 100 ÷ 200 | 4 ÷ 8 |

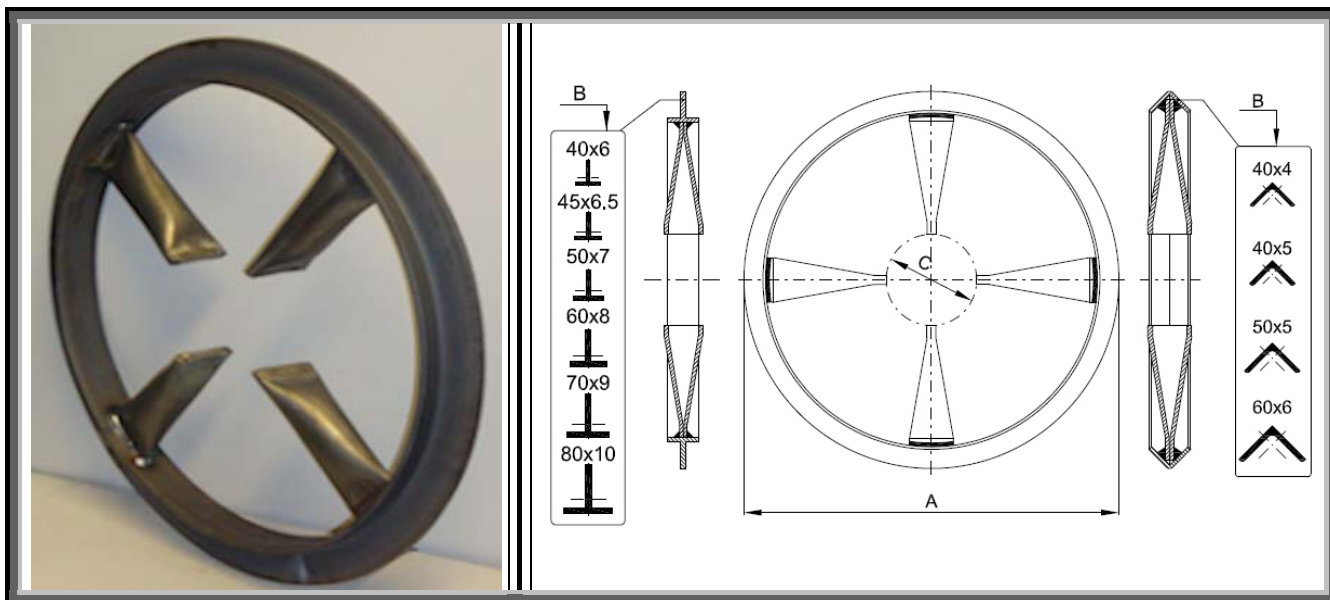
* **Dimensioni variabili su richiesta**
 * *Variable size on request*
 * *Taille variable sur demande*

Ruote in ferro Frangizolle – Mod. C
Roller iron wheels break clods – Mod. C
Rouleau en tôle plates briser les mottes – Mod. C



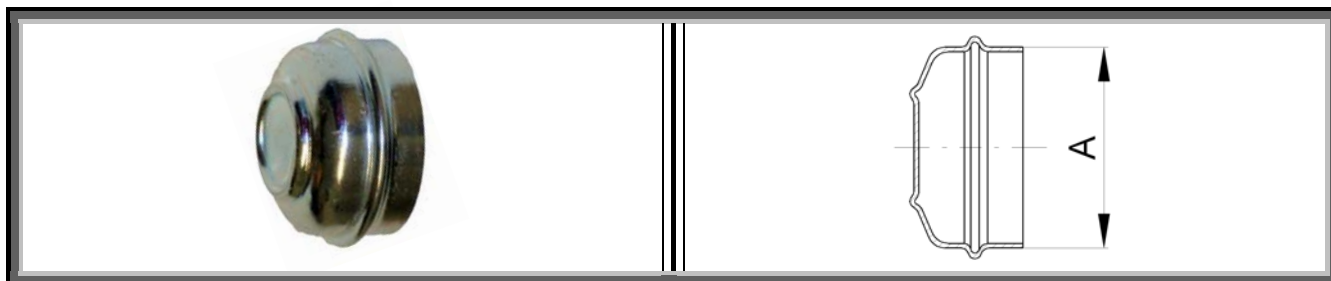
| Articolo | Diametro | Profilo | Foro Quadro | Spessore | Zona Piana |
|---|-----------------|----------------|--------------------|------------------|--------------------|
| <i>Item</i> | <i>Diameter</i> | <i>Profile</i> | <i>Square hole</i> | <i>Thickness</i> | <i>Planar area</i> |
| <i>Article</i> | <i>Diametre</i> | <i>Profil</i> | <i>Trou carré</i> | <i>Epaisseur</i> | <i>Zone Plane</i> |
| | A * | B * | C * | D * | E * |
| RZVV51000000 | 510 | 40x4 – 40/50x5 | 31 – 41 – 51 | 6 ÷ 8 | 120 ÷ 160 |
| RZVV61000000 | 610 | 40/50x5 – 60x6 | 41 – 51 – 61 | 8 ÷ 10 | 120 ÷ 180 |
| RZVV71000000 | 710 | 40/50x5 – 60x6 | 41 – 51 – 61 | 8 ÷ 12 | 120 ÷ 200 |
| * Dimensioni variabili su richiesta * <i>Variable size on request</i> * <i>Taille variable sur demande</i> | | | | | |

Ruote in ferro Frangizolle per montaggio su tubo – Mod. D
Roller iron wheels break clods for pipe mounting – Mod. D
Rouleau en tôle plates briser les mottes pour montage sur tube – Mod. D

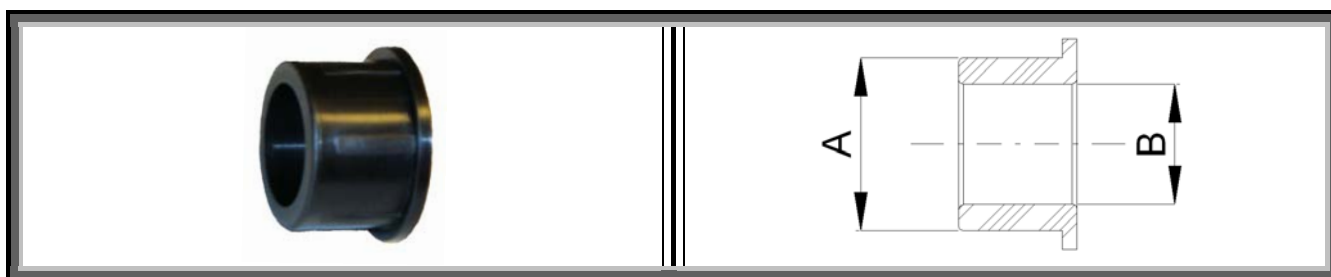


| Articolo <i>Item</i> <i>Article</i> | Diametro <i>Diameter</i> <i>Diametre</i> | Profilo <i>Profile</i> <i>Profil</i> | Diametro tubo <i>Pipe diameter</i> <i>Diamètre du tube</i> | N° Razze <i>N° Spokes</i> <i>N° rayons</i> |
|--|--|--|--|--|
| | A * | B * | C * | |
| RZSV51000000 | 510 | V 40x4 – 40/50x5 | 100 – 200 | 3 – 4 |
| RZST50100000 | | T 40x6-45x6.5-50x7-60x8 | | |
| RZSV61000000 | 610 | V 40/50x5 – 60x6 | 100 – 200 | 4 – 5 |
| RZST61000000 | | T 40x6-45x6.5-50x7-60x8 | | |
| RZSV71000000 | 710 | V 40/50x5 – 60x6 | 100 – 300 | 4 – 5 |
| RZST71000000 | | T 45x6.5-50x7-60x8-70x9 | | |
| RZSV81000000 | 810 | V 40/50x5 – 60x6 | 100 – 300 | 4 – 5 – 6 |
| RZST81000000 | | T 50x7-60x8-70x9-80x10 | | |
| RZSV91000000 | 910 | V 40/50x5 – 60x6 | 100 – 300 | 4 – 5 – 6 |
| RZST91000000 | | T 50x7-60x8-70x9-80x10 | | |
| * <i>Dimensioni variabili su richiesta</i> | | * <i>Variable size on request</i> | * <i>Taille variable sur demande</i> | |

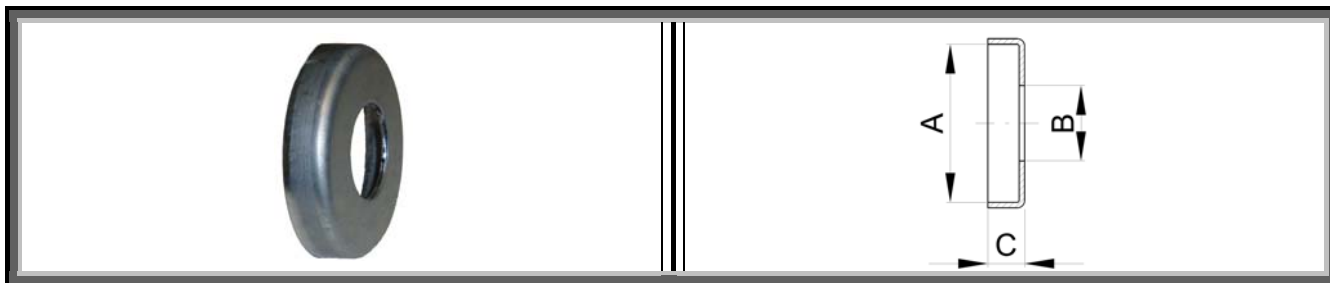


Parti di ricambio - Calotte
Spare parts – Caps
Pieces de rechange - Chapeau


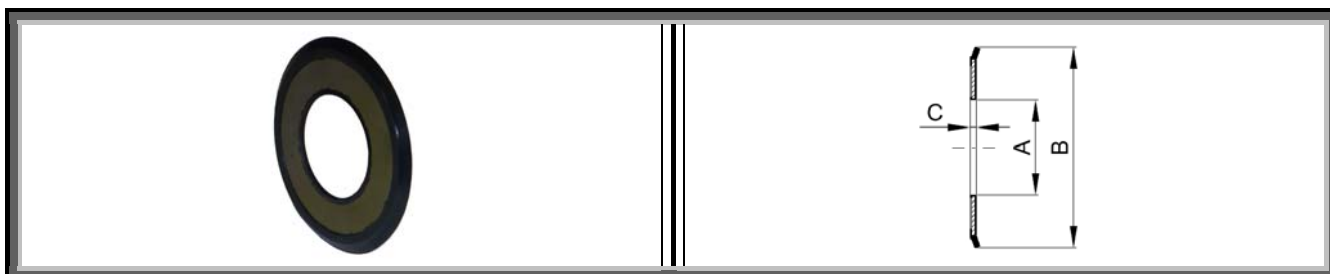
| Articolo <i>Item</i> <i>Article</i> | Diametro mozzo <i>Diameter hub</i> <i>Diametre moyeu</i> |
|---|--|
| | A |
| 07004200 | 42 |
| 07004700 | 47 |
| 07005200 | 52 |
| 07006200 | 62 |
| 07007200 | 72 |
| 07008000 | 80 |
| 07008500 | 85 |
| 07009000 | 90 |
| 07010000 | 100 |

Parti di ricambio – Boccole in nylon
Spare parts – Nylon bushing
Pieces de rechange – Bagues nylon


| Articolo <i>Item</i> <i>Article</i> | Diametro perno <i>Width pin</i> <i>Largeur axe</i> | Diametro mozzo <i>Diameter hub</i> <i>Diametre moyeu</i> | Lunghezza <i>Length</i> <i>Longueur</i> |
|---|--|--|---|
| | B | A | |
| 09011200 | 20 | 26 | 20 |
| 09013330 | 20 | 30 | 33 |
| 09015250 | 20 | 36 | 25 |
| 09035250 | 25 | 36 | 25 |
| 09055250 | 30 | 36 | 25 |
| 09057280 | 30 | 42 | 28 |

Parti di ricambio – Coppette di protezione
Spare parts – cups of protection Pieces de rechange – Tasses de protection


| Articolo <i>Item</i> <i>Article</i> | Diametro Interno <i>Inside Diameter</i> <i>Diamètre Extérieur</i> | Diametro foro <i>Hole Diameter</i> <i>Diamètre Trou</i> | Larghezza <i>Width</i> <i>Largeur</i> |
|---|---|---|---|
| | A | B | C |
| 071C3150 | 43 | 20,5 | 10 |
| 071C3250 | 43 | 25,5 | 10 |
| 071C3350 | 43 | 30,5 | 10 |
| 071C8150 | 48 | 20,5 | 10 |
| 071C8350 | 48 | 30.5 | 10 |

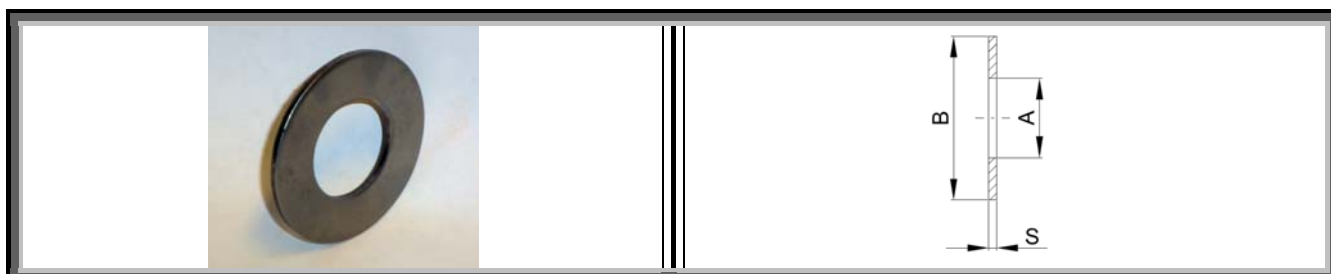
Parti di ricambio – Rondelle a tenuta
Spare parts – Washers seal Pieces de rechange – Rondelles étanche


| Articolo <i>Item</i> <i>Article</i> | Diametro Esterno <i>Outside Diameter</i> <i>Diamètre extérieur</i> | Diametro Interno <i>Inside Diameter</i> <i>Diamètre intérieur</i> | Spessore <i>Thickness</i> <i>Epaisseur</i> |
|---|--|---|--|
| | B | A | C |
| 083BA210 | 47 | 20 | 2.5 |
| 083CC210 | 52 | 25 | 2.5 |
| 083DE210 | 62 | 30 | 2.5 |
| 083FG210 | 72 | 35 | 2.5 |
| 083H I210 | 80 | 40 | 2.5 |
| 083 IK210 | 85 | 45 | 2.5 |
| 083JM210 | 90 | 50 | 2.5 |
| 083LO210 | 100 | 55 | 2.5 |

Parti di ricambio – Rondelle per la protezione dei cuscinetti

Spare parts – Washers for the protection of the bearings

Pieces de rechange – Rondelles pour la protection des roulements



| Articolo <i>Item</i> <i>Article</i> | Diametro Esterno <i>Outside Diameter</i> <i>Diamètre extérieur</i> | Diametro Interno <i>Inside Diameter</i> <i>Diamètre intérieur</i> | Spessore <i>Thickness</i> <i>Epaisseur</i> |
|---|--|---|--|
| | B | A | S |
| 081AA100 | 42 | 20 | 1.5 |
| 081BA110 | 47 | 20 | 1.5 |
| 081CC100 | 52 | 25 | 1.5 |
| 081CC300 | 52 | 25 | 3 |
| 081DE100 | 62 | 30 | 1.5 |
| 081DE300 | 62 | 30 | 3 |
| 081FG400 | 72 | 35 | 4 |
| 081H I400 | 80 | 42 | 4 |
| 081 IK500 | 85 | 45 | 5 |
| 081JK500 | 88 | 45 | 5 |

Parti di ricambio – Cuscinetti e Paraoli

Spare parts – Bearings and Seals

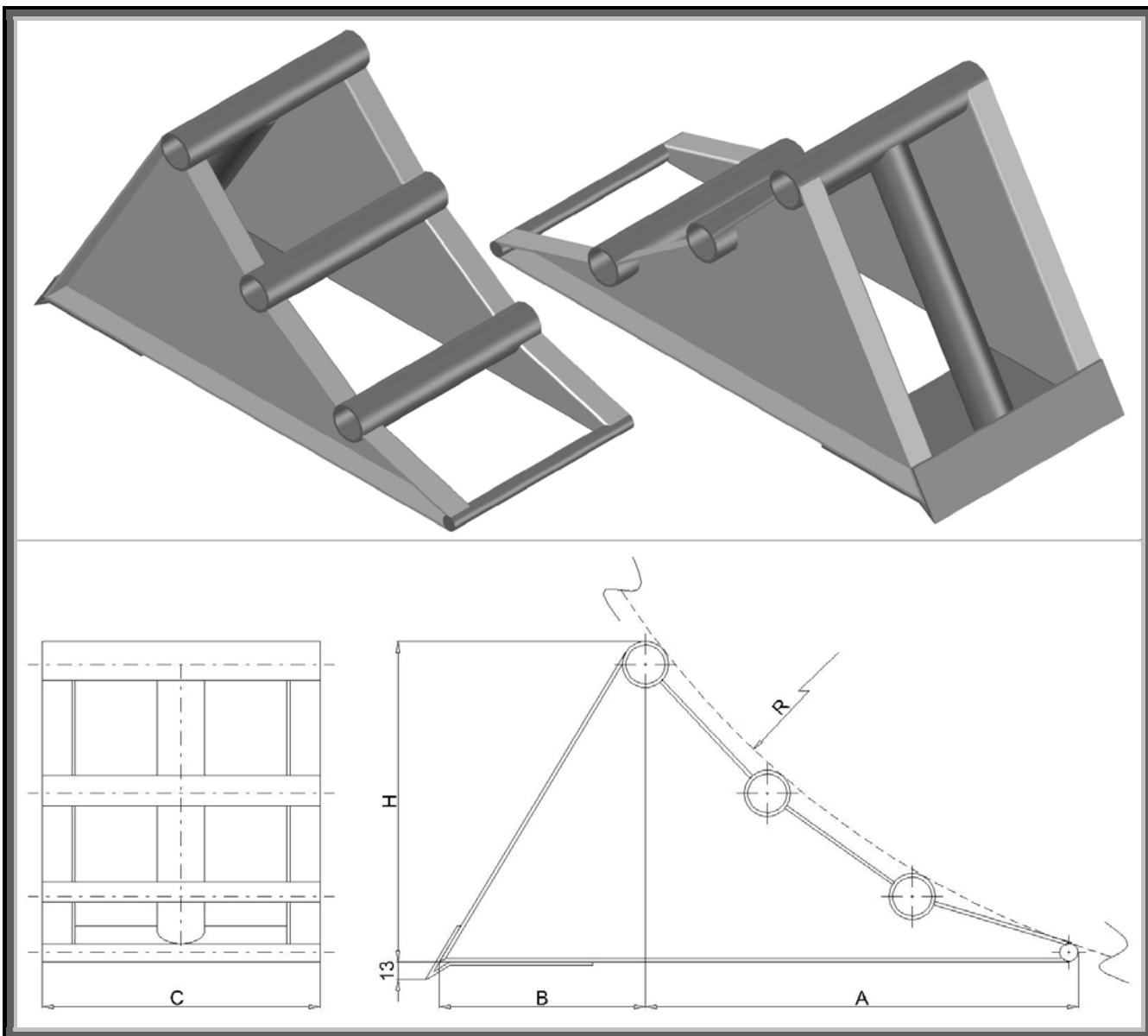
Pieces de rechange – Roulements et Joints spi



| | | |
|--|---|---|
| Cuscinetti a sfere (normali-2RS-2ZZ) Cuscinetti reggi spinta (normali-2RS) Paraoli di tutti gli spessori | <i>Ball bearings (normal-2RS-2ZZ)</i> <i>Thrust bearings (normal-2RS)</i> <i>Seals of all thicknesses</i> | <i>Roulements à billes (normale-2RS-2ZZ)</i> <i>Les paliers de butée (normale-2RS)</i> <i>Joints de toutes les épaisseurs</i> |
|--|---|---|

Cunei per bloccaggio ruote omologati TÜV

Wedges to lock the wheels TÜV approved - Cales pour bloquer les roues homologué TÜV



| Articolo <i>Item</i> Article | Dimensioni <i>Dimensions</i> Dimensions | | | | | Portata statica <i>Static load</i> Charge statique (DIN 76051) |
|------------------------------------|---|-----|-----|-----|-----|---|
| | A | B | C | H | R | |
| CBRML46 | 256 | 116 | 156 | 186 | 460 | 65.000 N |
| CBRML56 | 316 | 146 | 196 | 226 | 560 | 84.500 N |

A richiesta, ruote speciali o non a catalogo
On request, special wheels or not in the catalog
Sur demande, des roues spéciales ou non dans le catalogue

